

MODEL NUMBER

TXP-E20FNPM

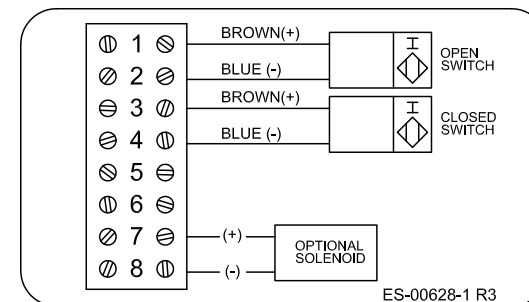
PRODUCT LINE

Switchbox TXP and TXS

SPECIFICATIONS

Enclosure	Tropicalized Aluminum
Bus/Sensor	(2) p+f NJ2+V3-N inductive NAMUR
Area Classification	Intrinsically safe
Visual Display	Flat-top
Shaft	NAMUR
Conduit Entries	(2) 1/2" NPT
O-Rings	Silicone
Pilot	No pilot option
Spool Valve	No spool valve option
Valve Cv	No valve Cv option
Manual Override	No manual override option
Regional Certification	No regional cert option
N Switch	No N Switch

WIRING DIAGRAM



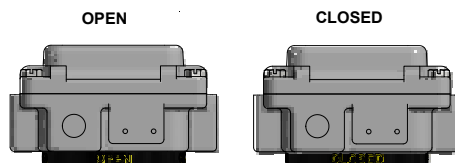
NAMEPLATE



Ex ia IIC T4 Gb; -60°C ≤ Ta ≤ 56°C
 Ex tb IIIC T75°C Db; -50°C ≤ Ta ≤ 56°C; IP66/67
 Sira 14ATEX2122X IECEx SIR 14.0045X
 Reference Certificate for Entity Parameters

TopWorx
 3300 Fern Valley Road
 Louisville, KY 40213 USA
 www.topworx.com

Model #:
Serial #:



www.electrosupply.com
 sales@electrosupply.com
 1-800-663-6576