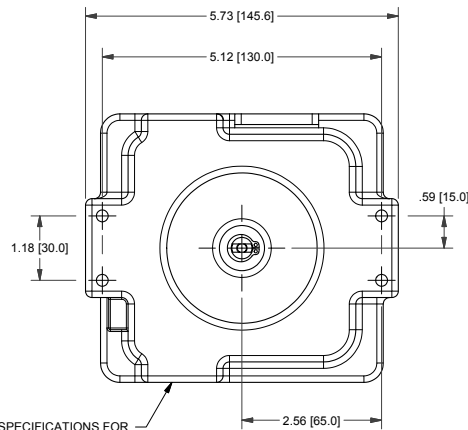
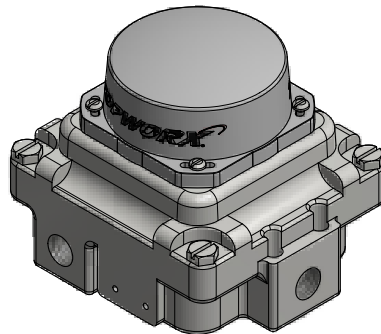




SEE SPECIFICATIONS FOR CONDUIT ENTRY SIZE BOTH SIDES



SEE SPECIFICATIONS FOR CONDUIT ENTRY SIZE BOTH SIDES



MODEL NUMBER

TXP-ASGGNPM

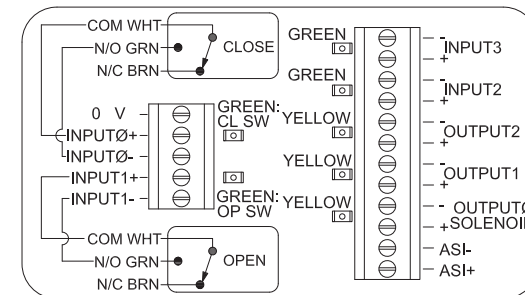
PRODUCT LINE

Switchbox TXP and TXS

SPECIFICATIONS

Enclosure	Tropicalized Aluminum
Bus/Sensor	AS-interface
Area Classification	General Purpose
Visual Display	Standard 90° Green OPEN, Red CLOSED
Shaft	NAMUR
Conduit Entries	(2) 1/2" NPT
O-Rings	Silicone
Pilot	No pilot option
Spool Valve	No spool valve option
Valve Cv	No valve Cv option
Manual Override	No manual override option
Regional Certification	No regional cert option
N Switch	No N Switch

WIRING DIAGRAM



NAMEPLATE

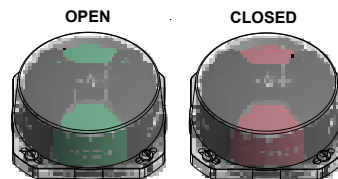


0°C ≤ Ta ≤ 60°C; Type 4X
 IP66/67
 General Purpose
 BUS: 200mA @ MAX ASi Voltage 31.6VDC



TopWorx
 3300 Fern Valley Road
 Louisville, KY 40213 USA
 www.topworx.com

Model #:
 Serial #:



www.electrosupply.com
 sales@electrosupply.com
 1-800-663-6576