

MODEL NUMBER

TVA-E40BNCM

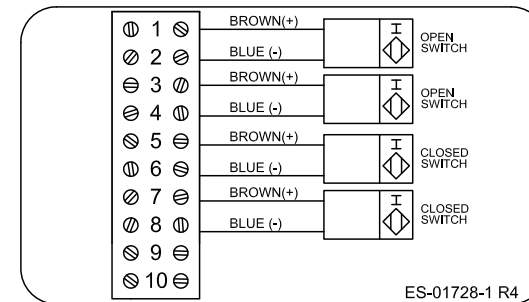
PRODUCT LINE

Switchbox TVA

SPECIFICATIONS

Enclosure	Composite Resin
Bus/Sensor	(4) p+f model NJ2-V3-N
Area Classification	Intrinsically safe
Visual Display	90° Black OPEN, Yellow CLOSED
Shaft	NAMUR
Conduit Entries	(2) M20 Resin
O-Rings	Silicone
Pilot	No pilot option
Spool Valve	No spool valve option
Valve Cv	No valve Cv option
Manual Override	No manual override option
Regional Certification	No regional cert option
N Switch	No N Switch

WIRING DIAGRAM



NAMEPLATE



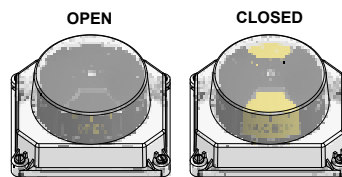
Telemetering Equipment Hazardous Locations
WARNING: Substitution of components may impair intrinsic safety. Potential electrostatic charging hazard. Clean only with a damp cloth.

Ex ia IIC T4 Gb:
 -50°C ≤ Ta ≤ 56°C
 Sira 13ATEX2364X
 Reference Certificate for Entity Parameters

TopWork
 3300 Fern Valley Road
 Louisville, KY 40213 USA
 www.topwork.com

Model #:

Serial #:



www.electrosupply.com
 sales@electrosupply.com
 1-800-663-6576