

MODEL NUMBER

TVA-E20GNCM

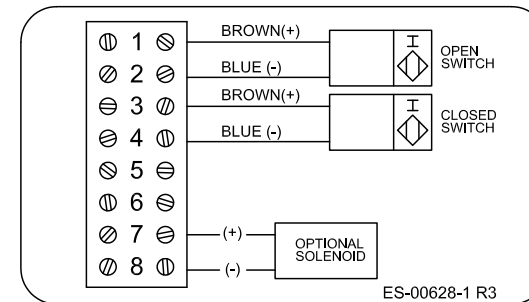
PRODUCT LINE

Switchbox TVA

SPECIFICATIONS

|                        |                                     |
|------------------------|-------------------------------------|
| Enclosure              | Composite Resin                     |
| Bus/Sensor             | (2) p+f NJ2+V3-N inductive NAMUR    |
| Area Classification    | Intrinsically safe                  |
| Visual Display         | Standard 90° Green OPEN, Red CLOSED |
| Shaft                  | NAMUR                               |
| Conduit Entries        | (2) M20 Resin                       |
| O-Rings                | Silicone                            |
| Pilot                  | No pilot option                     |
| Spool Valve            | No spool valve option               |
| Valve Cv               | No valve Cv option                  |
| Manual Override        | No manual override option           |
| Regional Certification | No regional cert option             |
| N Switch               | No N Switch                         |

WIRING DIAGRAM



NAMEPLATE



Telemetering Equipment Hazardous Locations  
**WARNING:** Substitution of components may impair intrinsic safety. Potential electrostatic charging hazard. Clean only with a damp cloth.

Ex ia IIC T4 Gb:  
 -50°C ≤ Ta ≤ 56°C  
 Sira 13ATEX2364X IECEx SIR 13.0146X  
 Reference Certificate for Entropy Parameters

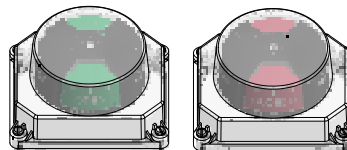
TopWork  
 3300 Fern Valley Road  
 Louisville, KY 40213 USA  
 www.topwork.com

Model #:

Serial #:

OPEN

CLOSED



www.electrosupply.com  
 sales@electrosupply.com  
 1-800-663-6576