

Alternative article: TR7439

When selecting an alternative article and accessories please note that technical data may differ!

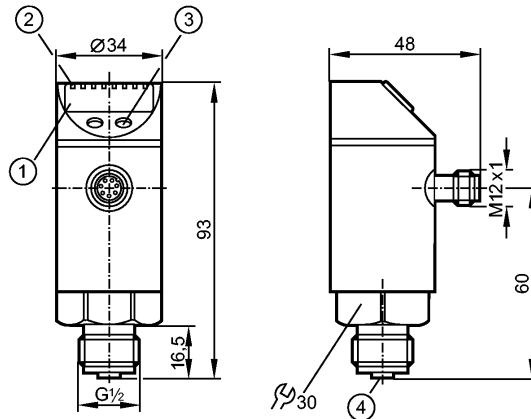
efector600

TR8430



TR-...KDBR12-SFPKG/US/...../V

Evaluation systems



- 1: 4-digit alphanumeric display
- 2: status LEDs
- 3: Programming button
- 4: connector for temperature sensor (M12 x 1)



Product characteristics

Evaluation unit for temperature sensors

Process connection: G 1/2 A

for Pt100 and Pt1000 measuring elements

gold-plated contacts

4 switch points


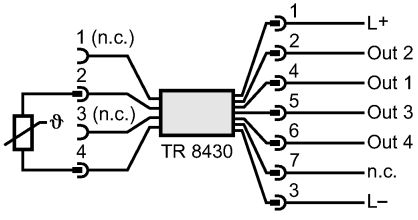
4-digit alphanumeric display

Measuring range: -40...150 °C / -40...302 °F

Electrical data

Electrical design	DC PNP	
Operating voltage [V]	18...28 DC ¹⁾	
Current consumption [mA]	< 90 **)	
Protection class	III	
Reverse polarity protection	yes	
Outputs	4 switch points	
Output function	4 x normally open / closed programmable	
Current rating [mA]	500; max. value for each single output	
Voltage drop [V]	< 2	
Short-circuit protection	yes (non-latching)	
Overload protection	yes	
Measuring / setting range		
Measuring range	-40...150 °C	-40...302 °F
Setting range		
Set point, SP	-39.8...150 °C	-39.5...302 °F
Reset point, rP	-40...149.8 °C	-40...301.5 °F
in steps of	0.2 °C	0.5 °F
Resolution		
Switching output [K]	0.2	
Display [K]	0.2	
Accuracy / deviations		
Switch point accuracy [K]	± 0.2	
Display [K]	± (0.2 + 1/2 Digit)	

TR8430 - Evaluation unit for temperature sensors - eclass: 27279213 / 27-27-92-13

Temperature drift (/ 10 K) [K]	0.1
Reaction times	
Power-on delay time [s]	1.5
Response time Switching output [ms]	200
Integrated watchdog	yes
Software / programming	
Adjustment of the switch point	Programming button
Programming options	hysteresis / window; normally closed/open; min./max. memory reset; °C/°F selectable; adjustment up to ± 10 K
Environment	
Ambient temperature [°C]	-25...70
Storage temperature [°C]	-40...85
Protection	IP 67
Tests / approvals	
EMC	EN 61000-4-2 ESD: 4 kV CD / 8 kV AD EN 61000-4-3 HF radiated: 10 V/m EN 61000-4-4 Burst: 2 kV EN 61000-4-6 HF conducted: 10 V
Shock resistance	DIN IEC 68-2-27: 50 g (11 ms)
Vibration resistance	DIN EN 60068-2-6 20 g (10...2000 Hz)
MTTF [Years]	175
Mechanical data	
Process connection	G ½ A
Housing materials	stainless steel (304S15); stainless steel (303S22); EPDM/X (Santoprene); PC (Makrolon); PBT (Pocan); FPM (Viton)
Weight [kg]	0.267
Displays / operating elements	
Display	Display unit 2 x LED green Switching status 4 x LED yellow Function display 4-digit alphanumeric display Measured values 4-digit alphanumeric display
Electrical connection	
Connection	M12 connector; gold-plated contacts
Wiring	
Programming of the output function: Hno = hysteresis / N.O. Hnc = hysteresis / N.C. Fno = window function / N.O. Fnc = window function / N.C.	
	
Remarks	
Remarks	n.c. = not connected 1) to EN50178, SELV, PELV; referring to UL: For use on a low voltage circuit with overcurrent protection in accordance with UL873 Tab. 28.1 or $I_{max} = 100/U_b$ (U_b = voltage of the circuit). *) max. value for each single output total current rating of the unit: max. 1 A 2 outputs can be switched in parallel to achieve a total current rating of 1 A; switch-on points and switch-off points and the programming of the outputs must correspond exactly **) when display is active
Pack quantity [piece]	1