

no longer available - archive entry replaced by: TR7432

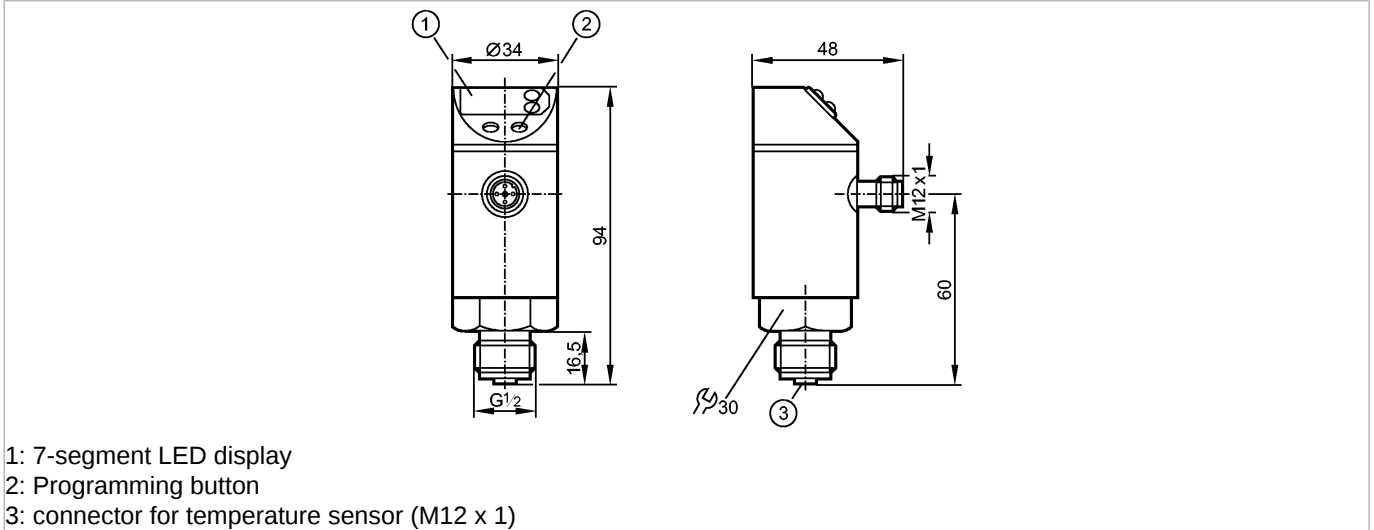
efector600

TR7430



TR-...KDBR12-QFPKG/US/...../V

Evaluation systems



- 1: 7-segment LED display
- 2: Programming button
- 3: connector for temperature sensor (M12 x 1)



Product characteristics

Evaluation unit for temperature sensors

Process connection: G 1/2 A

for temperature sensors TS / TT

gold-plated contacts

2 switching outputs

7-segment LED display

Measuring range: -40...150 °C / -40...302 °F

Electrical data

Electrical design	DC PNP
Operating voltage [V]	18...30 DC
Current consumption [mA]	< 50
Insulation resistance [MΩ]	> 100 (500 V DC)
Protection class	III
Reverse polarity protection	yes

Outputs

Output	2 switching outputs
Output function	2 x normally open / closed programmable
Current rating [mA]	250
Voltage drop [V]	< 2
Short-circuit protection	yes (non-latching)
Overload protection	yes

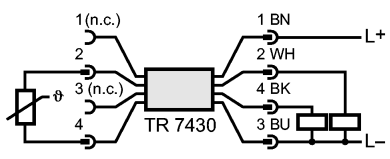
Measuring / setting range

Measuring range	-40...150 °C	-40...302 °F
Setting range		
Set point, SP	-39.5...150 °C	-39...302 °F
Reset point, rP	-40...149.5 °C	-40...301 °F
in steps of	0.5 °C	1 °F

Resolution

Switching output [K]	0.5
Display [K]	0.5
Accuracy / deviations	
Switch point accuracy [K]	± 0.2
Display [K]	± (0.2 + 1/2 Digit)
Temperature drift (/ 10 K) [K]	0.1

TR7430 - Evaluation unit for temperature sensors - eclass: 27279213 / 27-27-92-13

Reaction times	
Power-on delay time [s]	1.5
Measuring / display cycle [ms]	200
Integrated watchdog	yes
Software / programming	
Adjustment of the switch point	Programming button
Programming options	hysteresis / window; normally closed/open; min./max. memory reset; °C/°F selectable; adjustment up to ± 10 K
Environment	
Ambient temperature [°C]	-25...70
Storage temperature [°C]	-40...85
Protection	IP 67
Tests / approvals	
EMC	EN 61000-4-2 ESD: 4 kV CD / 8 kV AD EN 61000-4-3 HF radiated: 10 V/m EN 61000-4-4 Burst: 2 kV EN 61000-4-6 HF conducted: 10 V
Shock resistance	DIN IEC 68-2-27: 50 g (11 ms)
Vibration resistance	DIN EN 60068-2-6 20 g (10...2000 Hz)
Mechanical data	
Process connection	G ½ A
Housing materials	stainless steel (304S15); stainless steel (303S22); EPDM/X (Santoprene); PC (Makrolon); PBT (Pocan); FPM (Viton)
Weight [kg]	0.265
Displays / operating elements	
Display	Switching status 2 x LED red Function display 7-segment LED display Measured values 7-segment LED display
Electrical connection	
Connection	M12 connector; gold-plated contacts
Wiring	
<p>Programming of the output function: Hno = hysteresis / N.O. Hnc = hysteresis / N.C. Fno = window function / N.O. Fnc = window function / N.C.</p> 	
Remarks	
Remarks	n.c. = not connected
Pack quantity [piece]	1