

New generation available: TR2439

When selecting an alternative article and accessories please note that technical data may differ!

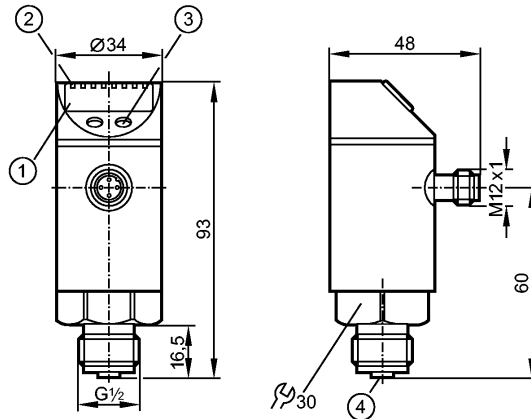
efector600

TR2432



TR-...KDBR12-MFRKG/US/...../V

Evaluation systems



- 1: 4-digit alphanumeric display
- 2: status LEDs
- 3: Programming button
- 4: connector for temperature sensor (M12 x 1)



Product characteristics

Evaluation unit for temperature sensors

Process connection: G ½ A

for Pt100 and Pt1000 measuring elements

Switching output, analog output 4...20 mA or 0...10 V

4-digit alphanumeric display

Measuring range: -40...300 °C / -40...572 °F

Electrical data

Electrical design

DC PNP/NPN

Operating voltage [V]

18...32 DC; cULus - Class 2 source required

Current consumption [mA]

< 50

Protection class

III

Reverse polarity protection

yes

Outputs

Output

Switching output, analog output 4...20 mA or 0...10 V

Output function

1 x normally open / closed programmable + 1 x analog (4...20 mA / 0...10 V, scalable)

Current rating [mA]

250

Voltage drop [V]

< 2

Short-circuit protection

yes (non-latching)

Overload protection

yes

Analog output

4...20 mA / 0...10 V **)

Measuring / setting range

Measuring range

-40...300 °C

-40...572 °F

Setting range

Set point, SP

-39.8...300 °C

-39.6...572 °F

Reset point, rP

-40...299.8 °C

-40...571.6 °F

Analog start point, ASP

-40...295 °C

-40...563 °F

Analog end point, AEP

-35...300 °C

-31...572 °F

in steps of

0.1 °C

0.1 °F

Resolution

Switching output [K]

0.1

Analog output [K]

< 0.1

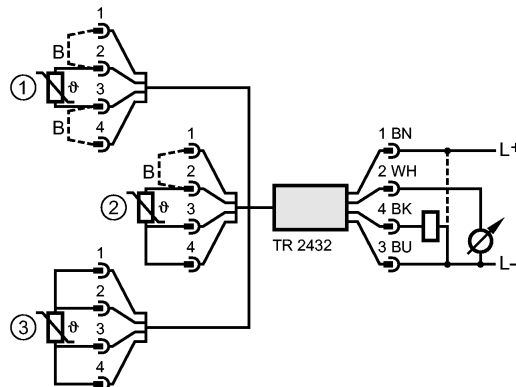
Display [K]

0.1

TR2432 - Evaluation unit for temperature sensors - eclass: 27279213 / 27-27-92-13

Accuracy / deviations	
Switch point accuracy [K]	± 0.3
Analog output [K]	± 0.3
Display [K]	± 0.3
Temperature drift (/ 10 K) [K]	0.1
Reaction times	
Power-on delay time [s]	1
Response time Switching output [ms]	130
Integrated watchdog	yes
Interfaces	
IO-Link Device	
Transfer type	COM2 (38.4 Kbaud)
IO-Link revision	1.0
Environment	
Ambient temperature [°C]	-25...70
Storage temperature [°C]	-40...85
Protection	IP 67
Tests / approvals	
EMC	EN 61000-4-2 ESD: 4 kV CD / 8 kV AD EN 61000-4-3 HF radiated: 10 V/m EN 61000-4-4 Burst: 2 kV EN 61000-4-5 Surge: 1 kV EN 61000-4-6 HF conducted: 10 V
Shock resistance	DIN IEC 68-2-27: 50 g (11 ms)
Vibration resistance	DIN EN 60068-2-6 20 g (10...2000 Hz)
MTTF [Years]	207
Mechanical data	
Process connection	G ½ A
Housing materials	304 / 1.4301 (V2A); EPDM/X (Santoprene); PC (Makrolon); PBT (Pocan); FPM (Viton)
Weight [kg]	0.231
Displays / operating elements	
Display	Display unit 2 x LED green Switching status LED yellow Measured values 4-digit alphanumeric display Programming 4-digit alphanumeric display
Electrical connection	
Connection	M12 connector; gold-plated contacts

Wiring



- 1 = Two-wire sensor
- 2 = 3-wire measuring probe
- 3 = Four-wire sensor
- B = bridge

Remarks

Remarks

**) Response time analog output: 384 ms

TR2432 - Evaluation unit for temperature sensors - eclass: 27279213 / 27-27-92-13

	load for current output: $R_{max} [\Omega]: (U_b - 10 \text{ V}) \times 50$ / for voltage output: $R_{min} [\Omega]: 2000$
Pack quantity [piece]	1

ifm efector, inc. • 1100 Atwater Drive • Malvern • PA 19355 — We reserve the right to make technical alterations without prior notice. — US — TR2432 — 07.02.2012

New generation available: TR2439

When selecting an alternative article and accessories please note that technical data may differ!