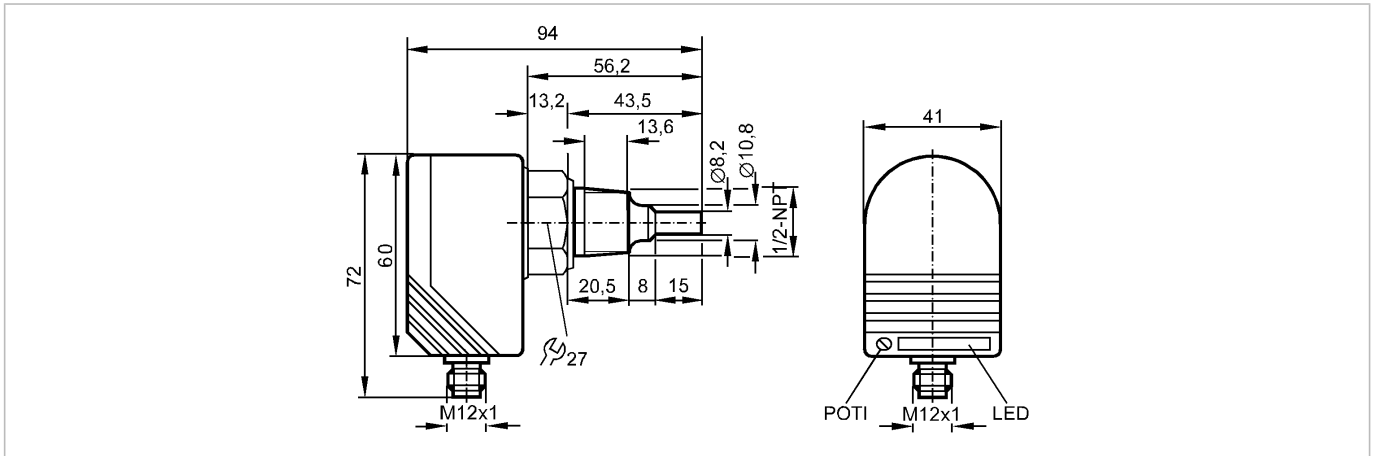


**no longer available - archive entry**

**replaced by: SI5010 + E40107**



**Product characteristics**

Flow monitor	
Compact type	
Process connection: 1/2" NPT	
Setting range: 3...300 cm/s	

**Application**

Application	liquids, high pressure
Pressure rating [bar]	300
Medium temperature [°C]	-25...80

**Electrical data**

Electrical design	DC PNP
Operating voltage [V]	20...36 DC
Current consumption [mA]	< 45
Reverse polarity protection	yes

**Outputs**

Output function	normally open / closed programmable
Current rating [mA]	400
Voltage drop [V]	< 2.5
Short-circuit protection	yes (non-latching)
Overload protection	yes

**Measuring / setting range**

Setting range [cm/s]	3...300
Greatest sensitivity [cm/s]	3...60

**Accuracy / deviations**

Max. temperature gradient of medium [K/min]	300
---	-----

**Reaction times**

Power-on delay time [s]	max. 20
Response time [s]	1...10

**Software / programming**

Adjustment of the switch point	potentiometer
--------------------------------	---------------

**ST3655**

SCN12ADBFPKG/US-100-IPF

**Flow sensors**

**Environment**

Ambient temperature	[°C]	-20...80
Protection		IP 67

**Mechanical data**

Process connection		½" NPT
Materials (wetted parts)		stainless steel 316Ti / 1.4571
Housing materials		PBT-GF 20
Weight	[kg]	0.245

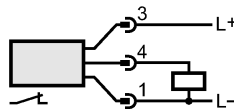
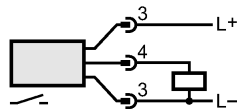
**Displays / operating elements**

Function display	LED	11 LED
------------------	-----	--------

**Electrical connection**

Connection		M12 connector
------------	--	---------------

**Wiring**



**Remarks**

Pack quantity	[piece]	1
---------------	---------	---

ifm efector, inc. • 1100 Atwater Drive • Malvern • PA 19355 — We reserve the right to make technical alterations without prior notice. — US — ST3655 — 06.03.2003

**no longer available - archive entry**

**replaced by: SI5010 + E40107**