

no longer available - archive entryreplaced by: SI5000 + E40107

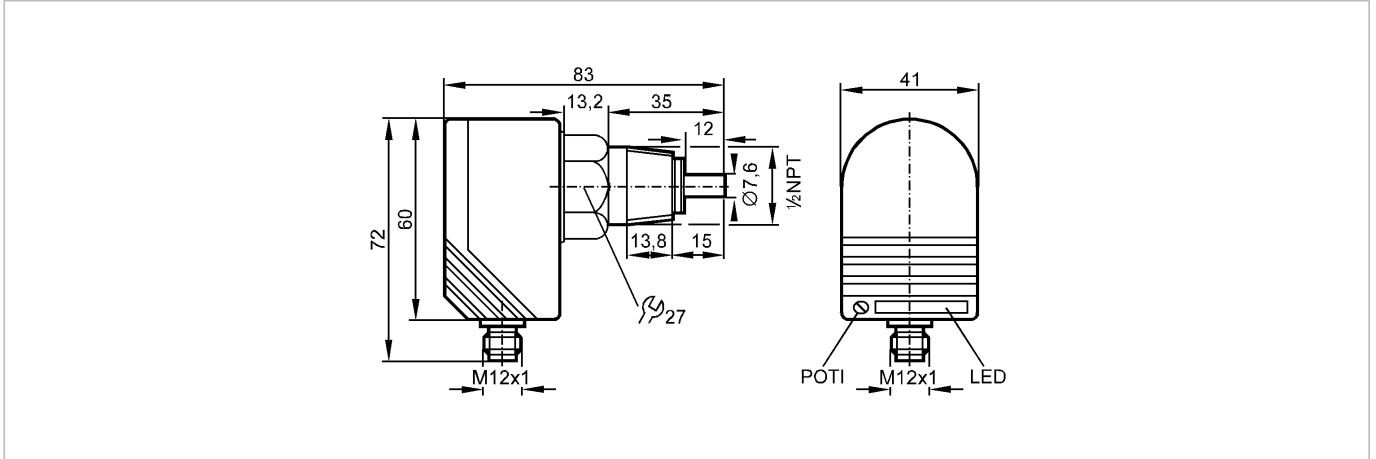
efector300

ST3614



SCN12ABAFPKG/US-100-IPF/CSA

Flow sensors



Product characteristics

Flow monitor

Compact type

Process connection: 1/2" NPT

Setting range: 3...300 cm/s

Application

Application

liquids

Pressure rating [bar]

30

Medium temperature [°C]

-25...80

Electrical data

Electrical design

DC PNP

Operating voltage [V]

20...36 DC

Current consumption [mA]

< 45

Reverse polarity protection

yes

Outputs

Output function

normally open / closed programmable

Current rating [mA]

400

Voltage drop [V]

< 2.5

Short-circuit protection

yes (non-latching)

Overload protection

yes

Measuring / setting range

Setting range [cm/s]

3...300

Greatest sensitivity [cm/s]

3...60

Accuracy / deviations

Max. temperature gradient of medium [K/min]

15

Reaction times

Power-on delay time [s]

max. 20

Response time [s]

1...10

Software / programming

Adjustment of the switch point

potentiometer

Environment

Ambient temperature [°C]

-20...80

Protection

IP 67

Mechanical data

Process connection

1/2" NPT

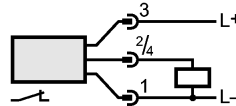
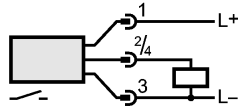
Materials (wetted parts)

stainless steel (303S22)

ST3614 - Flow monitor - eclass: 27273101 / 27-27-31-01

Housing materials	PBT-GF 20
Weight [kg]	0.24
Displays / operating elements	
Function display LED	11 LED
Electrical connection	
Connection	M12 connector

Wiring



Remarks

Pack quantity [piece]	1
-----------------------	---

ifm efector, inc. • 1100 Atwater Drive • Malvern • PA 19355 — We reserve the right to make technical alterations without prior notice. — US — ST3614 — 06.03.2003
 no longer available - archive entry replaced by: SI5000 + E40107