

no longer available - archive entry replaced by: SI5010 + E40101

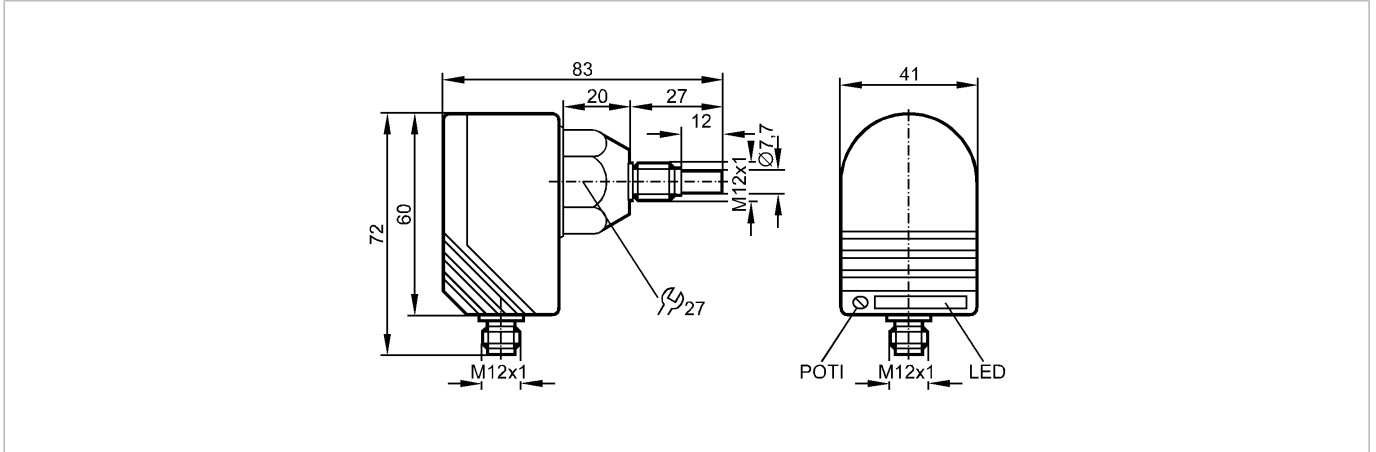
efector300

ST1604



SCM12ABAFPKG/US-100-IPF

Flow sensors



Product characteristics

Flow monitor

Compact type M12 x 1

Setting range: 3...300 cm/s

Application

Application

liquids

Pressure rating [bar]

30

Medium temperature [°C]

-25...80

Electrical data

Electrical design

DC PNP

Operating voltage [V]

20...36 DC

Current consumption [mA]

< 45

Reverse polarity protection

yes

Outputs

Output function

normally open / closed programmable

Current rating [mA]

400

Voltage drop [V]

< 2.5

Short-circuit protection

yes (non-latching)

Overload protection

yes

Measuring / setting range

Setting range [cm/s]

3...300

Greatest sensitivity [cm/s]

3...60

Accuracy / deviations

Max. temperature gradient of medium [K/min]

15

Reaction times

Power-on delay time [s]

max. 20

Response time [s]

1...10

Software / programming

Adjustment of the switch point

potentiometer

Environment

Ambient temperature [°C]

-20...80

Protection

IP 67

Mechanical data

Materials (wetted parts)

stainless steel (303S22)

Housing materials

PBT-GF 20

Weight [kg]

0.296

Displays / operating elements

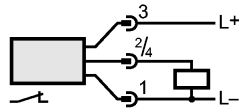
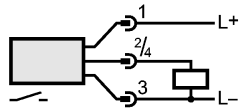
ST1604 - Flow monitor - eclass: 27273101 / 27-27-31-01

Function display	LED	11 LED
------------------	-----	--------

Electrical connection		
-----------------------	--	--

Connection		M12 connector
------------	--	---------------

Wiring



Accessories		
-------------	--	--

Accessories (included)		2 x packing washer AMF 30; screwdriver
------------------------	--	--

Remarks		
---------	--	--

Pack quantity	[piece]	1
---------------	---------	---

ifm efector, inc. • 1100 Atwater Drive • Malvern • PA 19355 — We reserve the right to make technical alterations without prior notice. — US — ST1604 — 06.03.2003
 no longer available - archive entry replaced by: SI5010 + E40101