

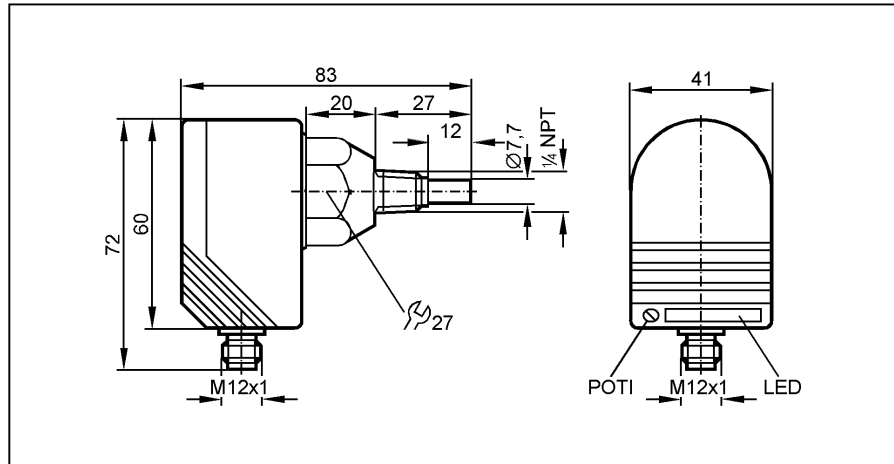
efector 300



Flow sensors

ST0572

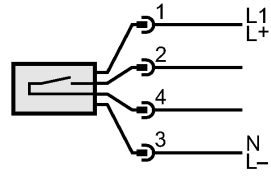
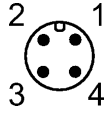
SCN14XBAAKOW/W/US
 Flow monitor
 Compact type
 Connector
 Process connection: 1/4" NPT
 Preset switch point



Made in Germany

Application	liquids
Electrical design	AC/DC relay
Output	normally open
Operating voltage [V]	24 AC \pm 15% (47...63 Hz) / 20...28 DC ¹⁾
Current rating [mA]	45 AC / 65 DC
Contact rating	30 V AC / 42 V DC ¹⁾
Short-circuit protection	no
Reverse polarity protection	no
Overload protection	no
Overload protection	no
Voltage drop [V]	< 3.5
Current consumption [mA]	< AC 100
Max. temperature gradient of medium [K/min]	15
Pressure rating [bar]	30
Medium temperature [°C]	-20...70
Setting range [cm/s]	3...300 [*])
Greatest sensitivity [cm/s]	3...60
Adjustment of the switch point	with pot.
Power-on delay time [s]	max. 20
Response time [s]	1...10
Ambient temperature [°C]	-20...50
Protection	IP 67
Housing materials	PBT-GF 20
Materials (wetted parts)	stainless steel (303S22)
Function display LED	11 LED
Connection	M12 connector
Weight [kg]	0.232
Remarks	¹⁾ to EN50178, SELV, PELV [*]) set to 20 cm/s (in water / 25 °C) at the factory

Wiring



ifm electronic gmbh • Friedrichstraße 1 • 45128 Essen — We reserve the right to make technical alterations without prior notice. — GB — ST0572-00 — 06/03.2004