

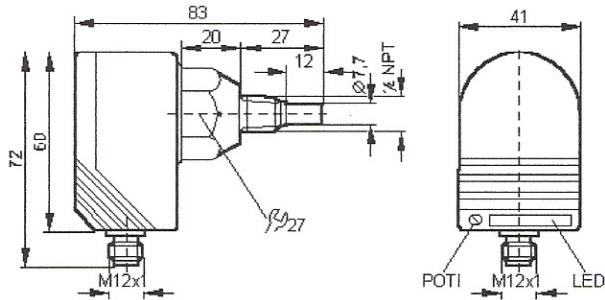
Flow sensors

ST0570

SCN14ABAABKW/24VAC/US

Flow monitor
Compact type 1/4" NPT
Quick disconnect

Preset switch point



Application	liquids
Electrical design	AC
Output	normally open
Operating voltage [V]	24 AC ± 15% (47...63 Hz) ¹⁾
Current rating [mA]	200
Short-circuit protection	Yes (non-latching)
Reverse polarity protection	yes
overload protection	yes
Voltage drop [V]	< 2.5
Current consumption [mA]	< 120
Max. temperature gradient of medium [K/min]	15
Pressure rating [bar]	30
Medium temperature [°C]	-20...80
Setting range	3...300*)
Greatest sensitivity [cm/s]	3...60
Adjustment of the switch point	with pot.
Power-on delay time [s]	max. 20
Response time [s]	1...10
Operating temperature [°C]	-20...60
Protection	IP 67 (IEC 60529) / (UL50)
Housing material	PBT-GF 20
Sensor material	stainless steel (303S22)
Function display	11 LED
Function LED	
Connection	M12 connector

Wiring

