

no longer available - archive entry replaced by: SI5006 + E40107

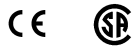
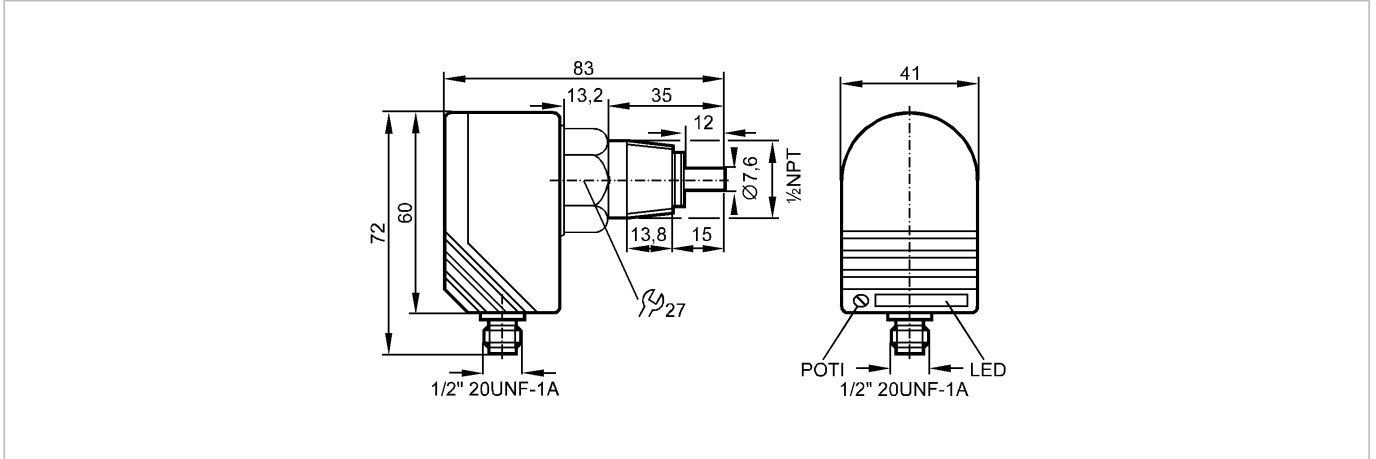
**efector300**

ST0522



SCN12ABAANKOW/LS/CSA

Flow sensors



Product characteristics

Flow monitor

Compact type

Process connection: 1/2" NPT

Setting range: 3...300 cm/s

Application

Application

liquids

Pressure rating [bar]

30

Medium temperature [°C]

-25...60

Electrical data

Electrical design

AC / relay

Operating voltage [V]

80...140 AC (47...63 Hz)

Current consumption [mA]

< 40

Outputs

Output function

normally open

Current rating [mA]

3000

Short-circuit protection

no

Measuring / setting range

Setting range [cm/s]

3...300

Greatest sensitivity [cm/s]

3...60

Accuracy / deviations

Max. temperature gradient of medium [K/min]

15

Reaction times

Power-on delay time [s]

max. 20

Response time [s]

1...10

Software / programming

Adjustment of the switch point

potentiometer

Environment

Ambient temperature [°C]

-20...60

Protection

IP 67

Mechanical data

Process connection

1/2" NPT

Materials (wetted parts)

stainless steel (303S22)

Housing materials

PBT-GF 20

Weight [kg]

0.305

Displays / operating elements

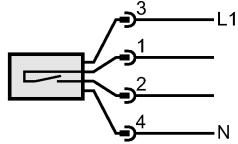
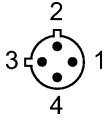
**ST0522 - Flow monitor - eclass: 27273101 / 27-27-31-01**

Function display LED | 11 LED

Electrical connection

Connection | 1/2" connector

**Wiring**



**Remarks**

Pack quantity [piece] | 1

ifm efector, inc. • 1100 Atwater Drive • Malvern • PA 19355 — We reserve the right to make technical alterations without prior notice. — US — ST0522 — 06.03.2003  
no longer available - archive entry replaced by: SI5006 + E40107