

1: Mounting on DIN rail



Product characteristics

Control monitor for flow sensors

Housing for DIN rail mounting

Connection: 1 sensor

(SF...A)

ATEX approval

Group II, category (1) G

Application

Application

flow monitoring and wire breaking monitoring

Electrical data

Electrical design

AC

Operating voltage [V]

110 AC (47...63 Hz)

Voltage tolerance [%]

± 10

Power consumption [VA]

5

Reverse polarity protection

no

Outputs

Output function

Relay

**Switching function**

- Flow monitoring

relay energised when flow is present

- Wire break monitoring

relay de-energised in case of wire break

Contact rating

4 A (250 V AC cos phi > 0.7) ; 0.2 A (250 V DC); 4 A (24 V DC)

Short-circuit proof

no

Overload protection

no

Reaction times

Power-on delay time [s]

30

Software / programming

Adjustment of the switch point

potentiometer

Selection liquids / gases

with slide switch

Environment

Ambient temperature [°C]

-20...60

Protection housing / terminals

IP 40 / IP 20

Tests / approvals

Approval

PTB 01 ATEX 2075  
IECEX PTB 07.0004  
TIIS TC16593

Marking of the unit

Ex II (1) G [Ex ia Ga] IIC

MTTF [Years]

248

Safety classification

**Maximum values for control circuit**

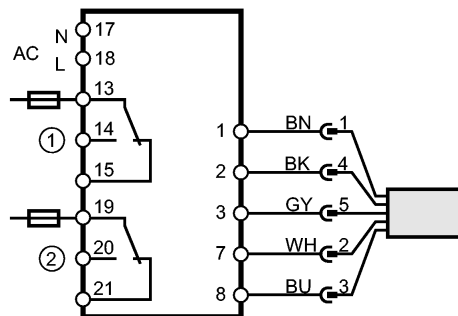
# SN2302 - Control monitor for flow sensors - eclass: 27279213 / 27-27-92-13

Description	in protection rating intrinsic safety [Ex ia] IIC, [Ex ia] IIB, [Ex ib] IIC, [Ex ib] IIB			
Voltage [V]	U <sub>0</sub> = 15.8			
Current [mA]	I <sub>0</sub> = 92 / I <sub>e</sub> = 47.2			
Power [mW]	P <sub>0</sub> = 680			
	in protection rating intrinsic safety			
	[Ex ia] IIC	[Ex ia] IIB	[Ex ib] IIC	[Ex ib] IIB
External inductance	1 mH	1 mH / 5 mH	1 mH	1 mH / 5 mH
External capacitance	185 nF	1.6 μF / 885 nF	185 nF	1.6 μF / 885 nF
Mechanical data				
Housing materials	plastics			
Weight [kg]	0.537			
Displays / operating elements				
Function display	11 LED			
Output status indication	LED	red		
Electrical connection				
Connection	15 terminals...2.5 mm <sup>2</sup>			

## Wiring

### Core colors

BN	brown
BU	blue
BK	black
WH	white
GY	grey



1 Flow monitoring  
 2 Wire break monitoring  
 Note: miniature fuse to IEC60127-2 sheet 1,  
 ≤ 5 A (fast acting)  
 Place the fuse outside the hazardous area.

Remarks	
Remarks	Please note: The control monitor must be mounted outside the hazardous area! Recommendation: check the unit for reliable function after a short circuit.
Pack quantity [piece]	1