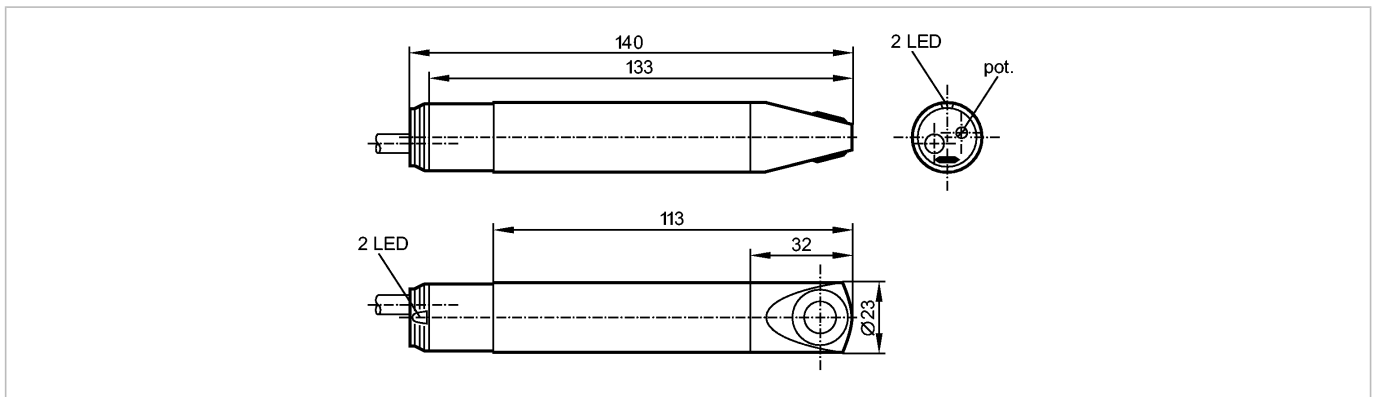


**SL5101**

SLG23CEEAKOG/24VDC

Flow sensors



**Product characteristics**

Airflow monitor	
Cylindrical type	
Process connection: Ø 23 mm	

**Application**

Pressure rating	[bar]	1
Medium temperature Gases	[°C]	-10...50

**Electrical data**

Electrical design		DC
Operating voltage	[V]	24 DC ± 25 %
Power consumption	[VA]	1
Insulation resistance	[MΩ]	> 100 (500 V DC)

**Outputs**

Output function	relay energised when flow is present
Contact rating	3 A (30 V DC / 250 V AC)

**Measuring / setting range**

Setting range	[cm/s]	100...1000
Greatest sensitivity	[cm/s]	100...400

**Accuracy / deviations**

Max. temperature gradient of medium	[K/min]	5
-------------------------------------	---------	---

**Reaction times**

Power-on delay time	[s]	60
Response time	[s]	3...60

**Software / programming**

Adjustment of the switch point	potentiometer
--------------------------------	---------------

**Environment**

Ambient temperature	[°C]	-10...50
Max. relative air humidity	[%]	90
Protection		IP 54

**Tests / approvals**

MTTF	[Years]	1202
------	---------	------

**Mechanical data**

Process connection		Ø 23 mm
--------------------	--	---------

## SL5101

SLG23CEEAKOG/24VDC

Flow sensors

Materials (wetted parts)	PBT; titanium
Housing materials	housing: PBT; sensor surface: titanium
Weight [kg]	0.19

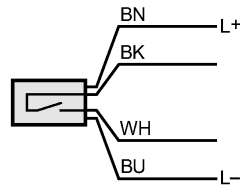
Displays / operating elements	
Function display	LED
	1 x red / 1 x green

Electrical connection	
Connection	PUR / PVC cable / 2 m; 4 x 0.5 mm <sup>2</sup>

### Wiring

Core colors

BN	brown
BU	blue
BK	black
WH	white



Accessories	
Accessories (included)	Mounting clamp (E40048); screwdriver

Remarks	
Pack quantity [piece]	1