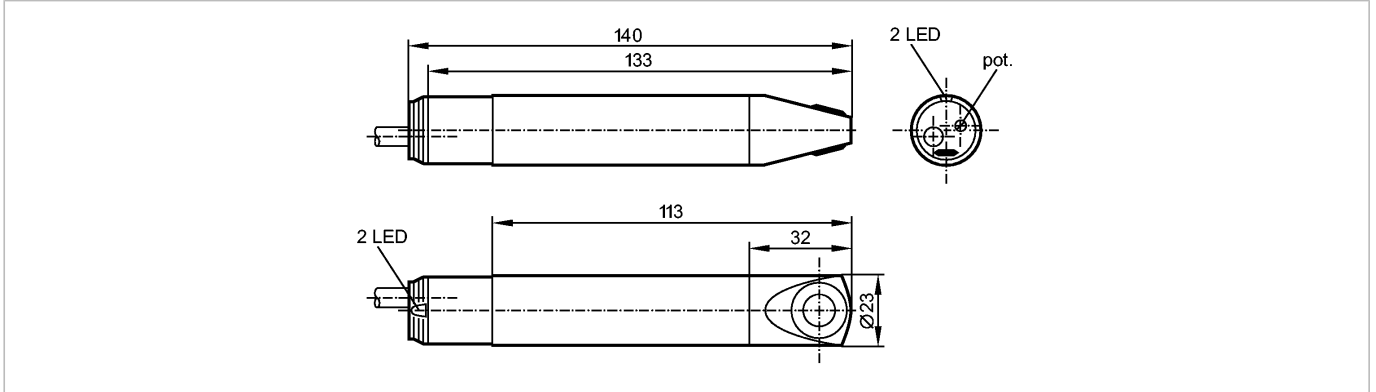


SLG23CEEAKOW/24VAC

Flow sensors



Product characteristics

Airflow monitor

Cylindrical type

Process connection: Ø 23 mm

Application

Pressure rating [bar]

1

Medium temperature Gases [°C]

-10...50

Electrical data

Electrical design

AC

Operating voltage [V]

24 AC ± 10 %

Power consumption [VA]

1.5

Insulation resistance [MΩ]

> 100 (500 V DC)

Reverse polarity protection

no

Outputs

Output function

relay energised when flow is present

Contact rating

3 A (30 V DC / 250 V AC)

Short-circuit proof

no

Overload protection

no

Measuring / setting range

Setting range [cm/s]

100...1000

Greatest sensitivity [cm/s]

100...400

Accuracy / deviations

Max. temperature gradient of medium [K/min]

5

Reaction times

Power-on delay time [s]

60

Response time [s]

3...60

Software / programming

Adjustment of the switch point

potentiometer

Environment

Ambient temperature [°C]

-10...50

Protection

IP 54

Tests / approvals

MTTF [Years]

877

Mechanical data

Process connection

Ø 23 mm

Materials (wetted parts)

PBT; titanium

Housing materials

housing: PBT; sensor surface: titanium

Weight [kg]

0.195

Displays / operating elements

SL0201 - Airflow monitor - eclass: 27200802 / 27-20-08-02

Function display	LED	1 x red / 1 x green
------------------	-----	---------------------

Electrical connection	PUR cable / 2 m; 4 x 0.5 mm ²
-----------------------	--

Connection	PUR cable / 2 m; 4 x 0.5 mm ²
------------	--

Wiring

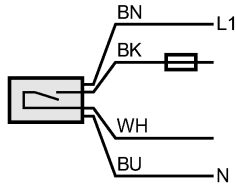
Core colors

BN brown

BU blue

BK black

WH white



Note: miniature fuse to IEC60127-2 sheet 1,
 ≤ 5 A (fast acting)

Accessories	Mounting clamp (E40048); screwdriver
-------------	--------------------------------------

Accessories (included)	Mounting clamp (E40048); screwdriver
------------------------	--------------------------------------

Remarks	Recommendation: check the unit for reliable function after a short circuit.
---------	---

Remarks	Recommendation: check the unit for reliable function after a short circuit.
---------	---

Pack quantity	[piece]	1
---------------	---------	---