

Model Number

SJ15-N

Features

- Comfort series
- 15 mm slot width

Technical Data

General specifications

Switching element function	NAMUR, NC
Slot width	15 mm
Depth of immersion (lateral)	16 ... 19 typ.
Installation	
Output polarity	NAMUR

Nominal ratings

Nominal voltage	U_o	8 V
Operating voltage	U_B	5 ... 25 V
Switching frequency	f	0 ... 1000 Hz
Hysteresis	H	typ. 5%
Reverse polarity protection		reverse polarity protected
Short-circuit protection		pulsing
Current consumption		
Measuring plate not detected		≥ 3 mA
Measuring plate detected		≤ 1 mA

Standard conformity

EMC in accordance with	IEC / EN 60947-5-2:2004
Standards	DIN EN 60947-5-6 (NAMUR)

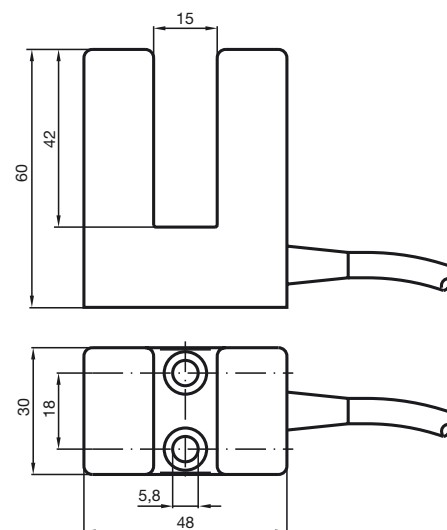
Ambient conditions

Ambient temperature	-25 ... 70 °C (-13 ... 158 °F)
---------------------	--------------------------------

Mechanical specifications

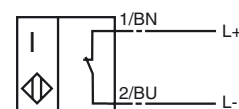
Core cross-section	0.75 mm ²
Housing material	PBT
Degree of protection	IP67

Dimensions



Electrical Connection

N / NO





ATEX

Data for Ex areas

Effective internal inductivity	C_i	$\leq 140 \text{ nF}$
Effective internal inductance	L_i	$\leq 1300 \mu\text{H}$

Release date: 2015-02-26 08:58 Date of issue: 2015-02-26 000700_eng.xml