

### Model Number

SJ15-E2-4M

### Features

- 15 mm slot width
- 3-wire DC

## Technical Data

### General specifications

Switching element function	PNP	NO
Slot width	15 mm	
Depth of immersion (lateral)	17 ... 20 mm	
Output polarity	DC	

### Nominal ratings

Operating voltage	$U_B$	10 ... 30 V DC
Switching frequency	$f$	0 ... 500 Hz
Hysteresis	$H$	typ. 5%
Reverse polarity protection	reverse polarity protected	
Short-circuit protection	pulsing	
Voltage drop	$U_d$	$\leq 3$ V
Operating current	$I_L$	0 ... 200 mA
No-load supply current	$I_0$	$\leq 20$ mA

### Functional safety related parameters

MTTF <sub>d</sub>	1500 a
Mission Time (T <sub>M</sub> )	20 a
Diagnostic Coverage (DC)	0 %

### Ambient conditions

Ambient temperature	-25 ... 70 °C (-13 ... 158 °F)
---------------------	--------------------------------

### Mechanical specifications

Connection type	cable PVC , 4 m
Core cross-section	0.75 mm <sup>2</sup>
Housing material	PBT
Degree of protection	IP67

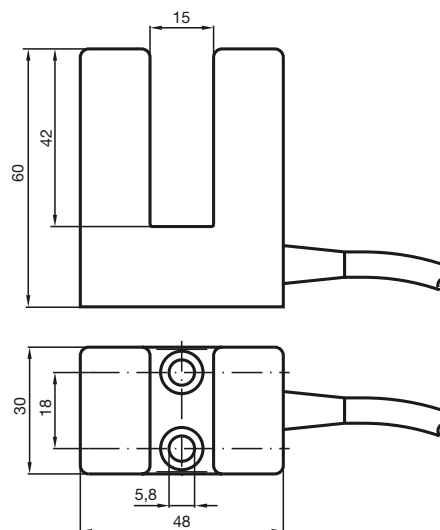
### Compliance with standards and directives

Standard conformity	
Standards	EN 60947-5-2:2007 IEC 60947-5-2:2007

### Approvals and certificates

UL approval	cULus Listed, General Purpose
CSA approval	cCSAus Listed, General Purpose
CCC approval	CCC approval / marking not required for products rated $\leq 36$ V

## Dimensions



## Electrical Connection

