

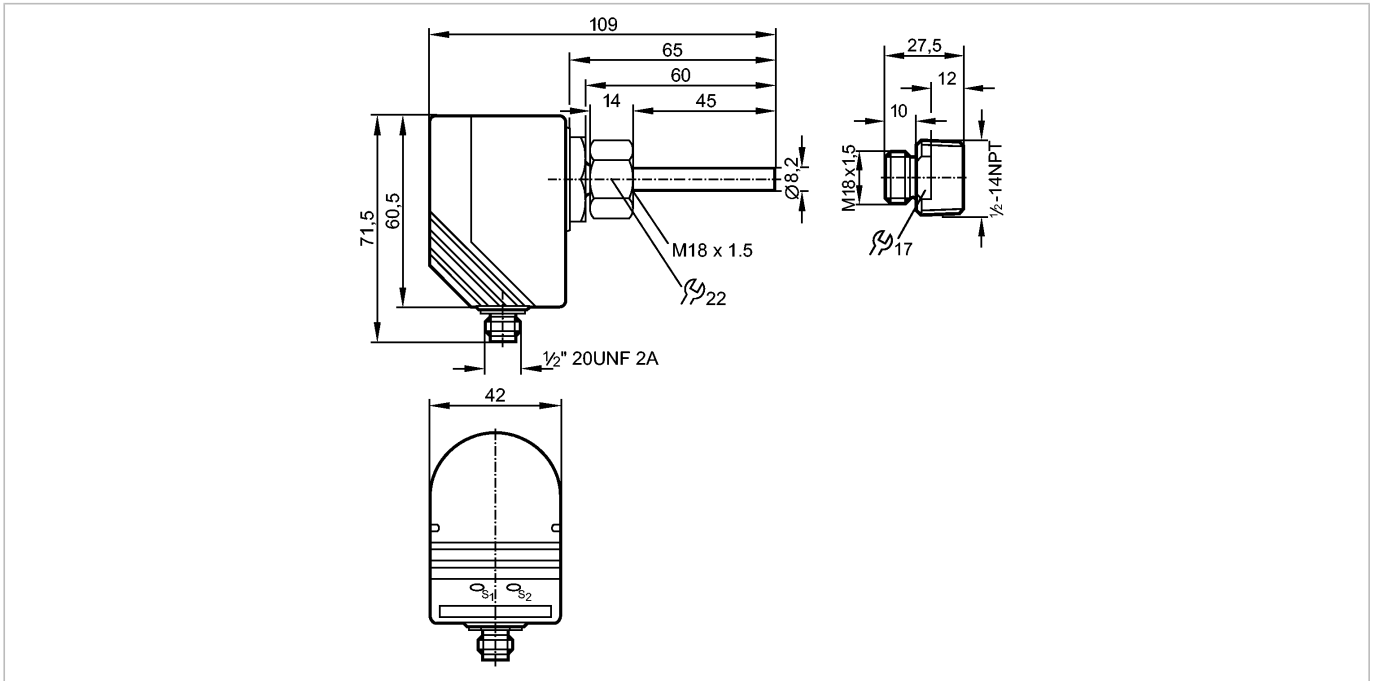
no longer available - archive entry

**efector300**

SI8519



Flow sensors



Product characteristics

Flow monitor

Compact type for adapter

Process connection: internal thread M18 x 1.5 for adapter

Probe length: 45 mm

SI1006

with adapter 1/2-14NPT

(E40107)

1 relay output

Setting range: 3...300 cm/s (liquids)

Application

Application

liquids and gases

Pressure rating [bar]

300

Medium temperature [°C]

-25...80

Electrical data

Electrical design

AC / relay

Operating voltage [V]

85...265 AC

Nominal voltage [V]

90...240 AC (45...65 Hz)

Voltage tolerance [%]

-5 / +10

Power consumption [VA]

< 3.5

Protection class

II

Outputs

Output function

normally open / closed programmable

Contact rating

3 A (250 V AC / 30 V DC) <sup>1)</sup>

Measuring / setting range

Liquids

Setting range [cm/s]

3...300

Greatest sensitivity [cm/s]

3...60

Gases

Setting range [cm/s]

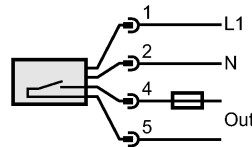
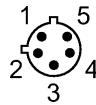
200...3000

**SI8519 - Flow monitor - eclass: 27273101 / 27-27-31-01**

Greatest sensitivity	[cm/s]	200...800
Accuracy / deviations		
Max. temperature gradient of medium	[K/min]	300
Reaction times		
Power-on delay time	[s]	15 **)
Response time	[s]	1...10
Software / programming		
Adjustment of the switch point		pushbuttons
Environment		
Ambient temperature	[°C]	-25...80
Protection		IP 67
Tests / approvals		
Shock resistance	DIN IEC 68-2-27:	50 g (11 ms)
Vibration resistance	DIN EN 60068-2-6	20 g (55...2000 Hz)
Mechanical data		
Process connection		internal thread M18 x 1.5 for adapter
Materials (wetted parts)		stainless steel 316L / 1.4404; O-ring: FKM 8 x 1.5 gr 80° Shore A
Housing materials		PBT-GF 20; adapter: stainless steel 316L / 1.4404
Probe length L	[mm]	45
Displays / operating elements		
Function display	LED	10 LEDs, three-colour
Electrical connection		
Connection		1/2" UNF-Connector

**Wiring**

N.B: no protective insulation between relay circuit and supply voltage



Remarks

Remarks

n.c. = not connected  
 1) number of switching cycles: 20 million mechanically  
 switching cycles with 3 A load: 100.000 electrically  
 relay type: contact closed at work  
 \*\*) optically indicated

Pack quantity [piece]

1