

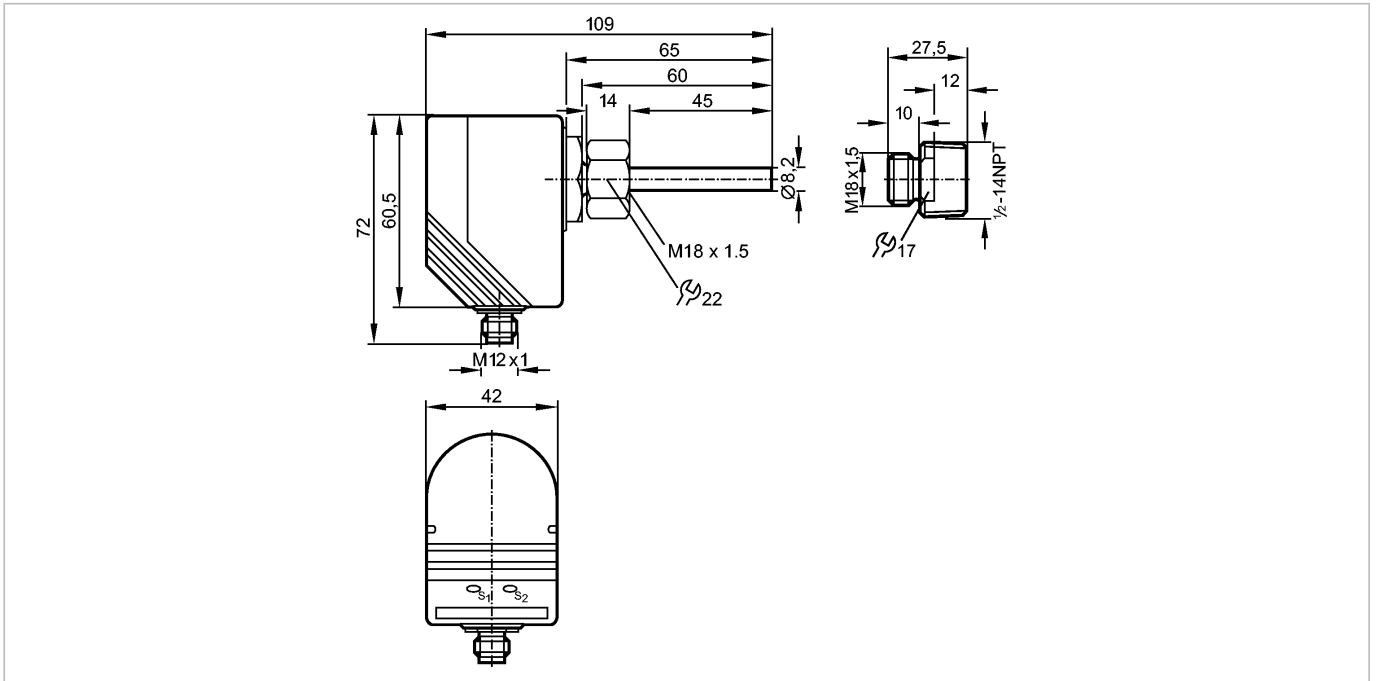
no longer available - archive entry

**efector300**

SI8511



Flow sensors



Product characteristics

Flow monitor

Compact type for adapter

Process connection: internal thread M18 x 1.5 for adapter

Probe length: 45 mm

SI1001

with adapter 1/2-14NPT

(E40107)

Setting range: 3...300 cm/s (liquids)

Application

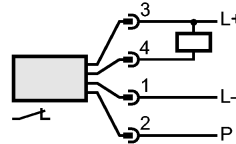
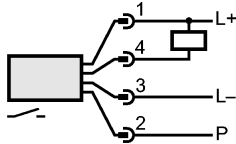
Application	liquids and gases
Pressure rating [bar]	300
Medium temperature [°C]	-25...80
Electrical data	
Electrical design	DC NPN
Operating voltage [V]	20...36 DC <sup>1)</sup>
Current consumption [mA]	< 80
Reverse polarity protection	yes
Outputs	
Output function	normally open / closed programmable
Current rating [mA]	400
Voltage drop [V]	< 2.5
Short-circuit protection	yes (non-latching)
Overload protection	yes
Measuring / setting range	
Liquids	
Setting range [cm/s]	3...300
Greatest sensitivity [cm/s]	3...60
Gases	
Setting range [cm/s]	200...3000

# SI8511 - Flow monitor - eclass: 27273101 / 27-27-31-01

Greatest sensitivity	[cm/s]	200...800
Accuracy / deviations		
Max. temperature gradient of medium	[K/min]	300
Reaction times		
Power-on delay time	[s]	15 *)
Response time	[s]	1...10
Software / programming		
Adjustment of the switch point		pushbuttons
Environment		
Ambient temperature	[°C]	-25...80
Protection		IP 67
Tests / approvals		
Shock resistance	DIN IEC 68-2-27:	50 g (11 ms)
Vibration resistance	DIN EN 60068-2-6	20 g (55...2000 Hz)
Mechanical data		
Process connection		internal thread M18 x 1.5 for adapter
Materials (wetted parts)		stainless steel 316L / 1.4404; O-ring: FKM 8 x 1.5 gr 80° Shore A
Housing materials		PBT-GF 20; adapter: stainless steel 316L / 1.4404
Probe length L	[mm]	45
Displays / operating elements		
Function display	LED	10 LEDs, three-colour
Electrical connection		
Connection		M12 connector

## Wiring

P = programming wire (for remote adjustment)



Remarks

Remarks

1) to EN50178, SELV, PELV

\*) optically indicated

Pack quantity

[piece]

1