

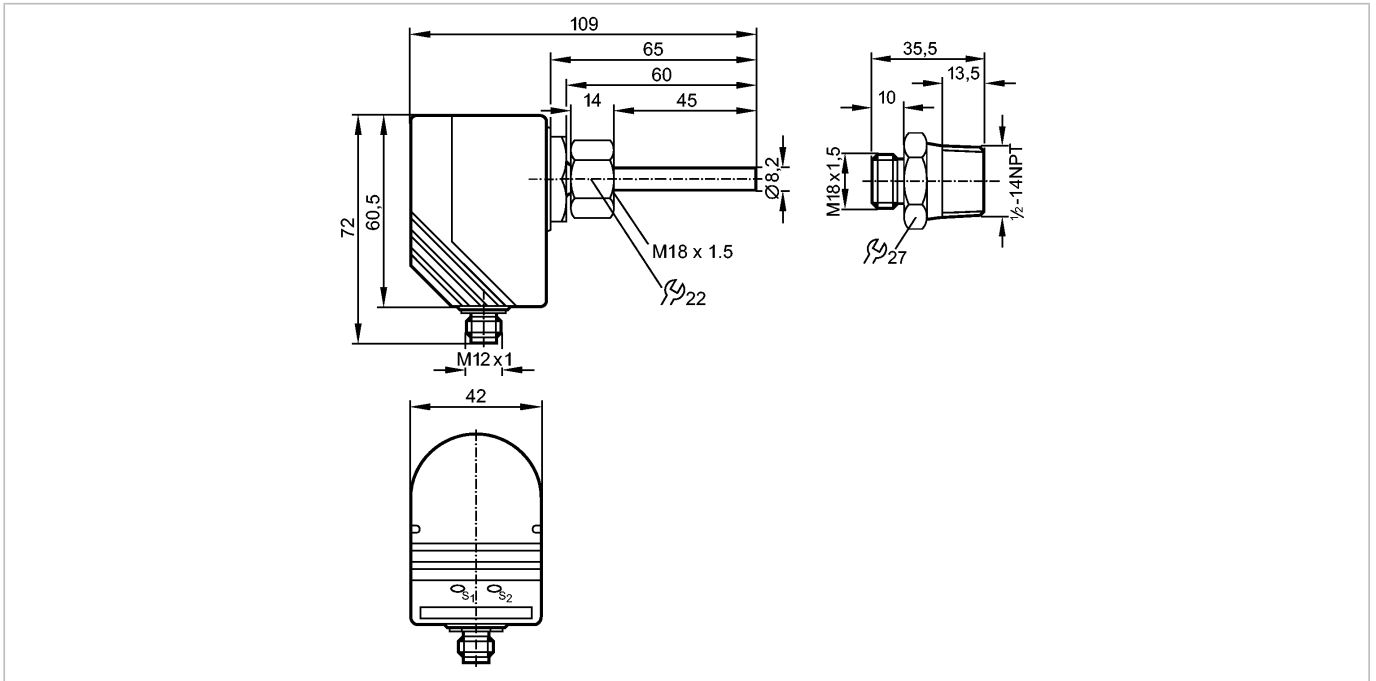
no longer available - archive entry

efector300

SI8508



Flow sensors



Product characteristics

Flow monitor

Compact type for adapter

Process connection: internal thread M18 x 1.5 for adapter

Probe length: 45 mm

SI1000

with adapter 1/2-14NPT

(U40008)

Setting range: 3...300 cm/s (liquids)

Application

Application

liquids and gases

Pressure rating [bar]

300

Medium temperature [°C]

-25...80

Electrical data

Electrical design

DC PNP

Operating voltage [V]

20...36 DC ¹⁾

Current consumption [mA]

< 80

Reverse polarity protection

yes

Outputs

Output function

normally open / closed programmable

Current rating [mA]

400

Voltage drop [V]

< 2.5

Short-circuit protection

yes (non-latching)

Overload protection

yes

Measuring / setting range

Liquids

Setting range [cm/s]

3...300

Greatest sensitivity [cm/s]

3...60

Gases

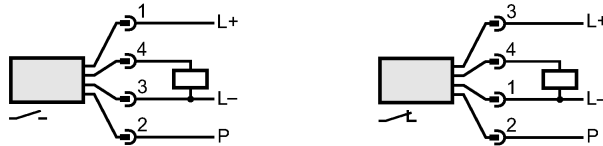
Setting range [cm/s]

200...3000

SI8508 - Flow monitor - eclass: 27273101 / 27-27-31-01

Greatest sensitivity	[cm/s]	200...800
Accuracy / deviations		
Max. temperature gradient of medium	[K/min]	300
Reaction times		
Power-on delay time	[s]	15 *)
Response time	[s]	1...10
Software / programming		
Adjustment of the switch point		pushbuttons
Environment		
Ambient temperature	[°C]	-25...80
Protection		IP 67
Tests / approvals		
Shock resistance	DIN IEC 68-2-27:	50 g (11 ms)
Vibration resistance	DIN EN 60068-2-6	20 g (55...2000 Hz)
Mechanical data		
Process connection		internal thread M18 x 1.5 for adapter
Materials (wetted parts)		stainless steel 316L / 1.4404; O-ring: FKM 8 x 1.5 gr 80° Shore A
Housing materials		PBT-GF 20; adapter: stainless steel 316L / 1.4404
Probe length L	[mm]	45
Displays / operating elements		
Function display	LED	10 LEDs, three-colour
Electrical connection		
Connection		M12 connector

Wiring



P = programming wire (for remote adjustment)

Remarks	
Remarks	1) to EN50178, SELV, PELV *) optically indicated
Pack quantity	[piece] 1