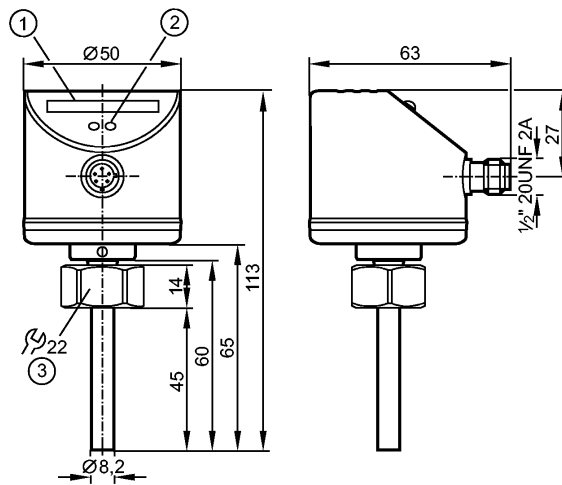


SI5006

SID10ADBFKOW/LS-100-IRF

Flow sensors



- 1: LED display
- 2: setting pushbutton
- 3: tightening torque 25 Nm



Product characteristics

Flow monitor

Compact type for adapter

Process connection: internal thread M18 x 1.5 for adapter

1 relay output

Setting range: 3...300 cm/s (liquids)

Application

Application	liquids and gases
Pressure rating [bar]	300
Medium temperature [°C]	-25...80

Electrical data

Electrical design	AC / relay
Operating voltage [V]	85...265 AC
Nominal voltage [V]	90...240 AC (45...65 Hz)
Voltage tolerance [%]	-5 / +10
Power consumption [VA]	< 3.5
Protection class	II
Reverse polarity protection	no

Outputs

Output function	normally open / closed programmable
Contact rating	3 A (250 V AC / 30 V DC) ¹⁾
Short-circuit proof	no
Overload protection	no

Measuring / setting range

Liquids	
Setting range [cm/s]	3...300
Greatest sensitivity [cm/s]	3...100
Gases	
Setting range [cm/s]	200...3000

SI5006

SID10ADBFKOW/LS-100-IRF

Flow sensors

Greatest sensitivity	[cm/s]	200...800
----------------------	--------	-----------

Accuracy / deviations

Switch point accuracy	[cm/s]	± 2...± 10 *)
Hysteresis	[cm/s]	2...5 *)
Repeatability	[% of Sr]	1...5 *)
Temperature drift	[cm/s x 1/K]	0.1 **)
Max. temperature gradient of medium	[K/min]	300

Reaction times

Power-on delay time	[s]	10
Response time	[s]	1...10

Software / programming

Adjustment of the switch point	pushbuttons
--------------------------------	-------------

Environment

MAWP (for applications according to CRN)	[bar]	208
Ambient temperature	[°C]	-25...80
Storage temperature	[°C]	-25...100
Protection		IP 67

Tests / approvals

EMC	DIN EN 61000-6-2 DIN EN 61000-6-3
Shock resistance	DIN EN 60068-2-27 50 g (11 ms)
Vibration resistance	DIN EN 60068-2-6 20 g (55...2000 Hz)
MTTF	[Years] 221

Mechanical data

Process connection	internal thread M18 x 1.5 for adapter
Materials (wetted parts)	stainless steel 316L / 1.4404; O-ring: FKM 8 x 1.5 gr 80° Shore A
Housing materials	stainless steel 316L / 1.4404; stainless steel (304S15); PC (polycarbonate); PBT-GF 20; EPDM/X
Weight	[kg] 0.254

Displays / operating elements

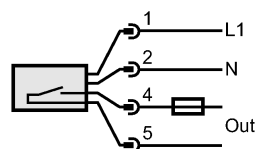
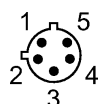
Function display	LED	10 LEDs, three-colour
------------------	-----	-----------------------

Electrical connection

Connection	1/2" UNF-Connector
------------	--------------------

Wiring

N.B: no protective insulation between relay circuit and supply voltage



Note: miniature fuse to IEC60127-2 sheet 1, ≤ 5 A (fast acting)

Remarks

Remarks	1) number of switching cycles: 20 million mechanically
---------	--

**SI5006**

SID10ADBFKOW/LS-100-IRF

switching cycles with 3 A load: 100.000 electrically
relay type: contact closed at work
*) for water; 5...100 cm/s; 25°C (factory setting)
**) for water; 5...100 cm/s; 10...70°C
Recommendation: check the unit for reliable function after a short
circuit.

Pack quantity

[piece]

1