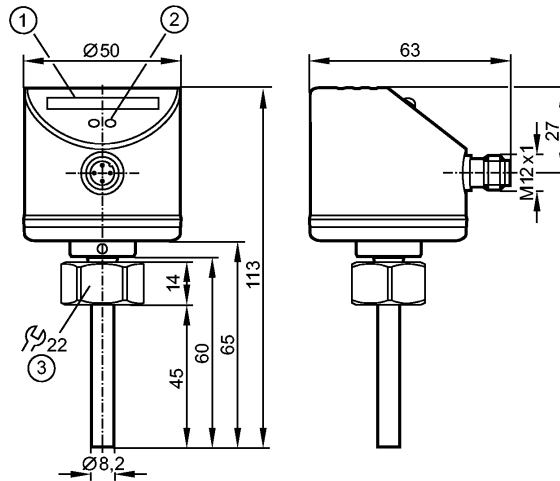


SID10ADBFNKG/US-100

Flow sensors



- 1: LED display
- 2: setting pushbutton
- 3: tightening torque 25 Nm



Product characteristics

Flow monitor

Compact type for adapter

Process connection: internal thread M18 x 1.5 for adapter

Probe length: 45 mm

2 switching outputs

Setting range: 3...300 cm/s (liquids)

Application

Application liquids and gases

Pressure rating [bar] 300

Medium temperature [°C] -25...80

Electrical data

Electrical design DC NPN

Operating voltage [V] 19...36 DC

Current consumption [mA] < 60

Protection class III

Reverse polarity protection yes

Outputs

Output function 2 x normally open / closed programmable

Current rating [mA] 2 x 250

Voltage drop [V] < 2.5

Short-circuit protection yes (non-latching)

Overload protection yes

Measuring / setting range

Liquids

Setting range [cm/s] 3...300

Greatest sensitivity [cm/s] 3...100

Gases

Setting range [cm/s] 200...3000

Greatest sensitivity [cm/s] 200...800

Accuracy / deviations

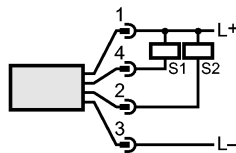
Switch point accuracy [cm/s] ± 2...± 10 \*)

Hysteresis [cm/s] 2...5 \*)

# SI5003 - Flow monitor - eclass: 27273101 / 27-27-31-01

Repeatability	[cm/s]	1...5 *)
Temperature drift	[cm/s x 1/K]	0.1 **)
Max. temperature gradient of medium	[K/min]	300
Reaction times		
Power-on delay time	[s]	10
Response time	[s]	1...10
Software / programming		
Adjustment of the switch point		pushbuttons
Environment		
Ambient temperature	[°C]	-25...80
Storage temperature	[°C]	-25...100
Protection		IP 67
Tests / approvals		
EMC		
	EN 61000-4-2 ESD:	4 kV CD / 8 kV AD
	EN 61000-4-3 HF radiated:	10 V/m
	EN 61000-4-4 Burst:	2 kV
	EN 61000-4-6 HF conducted:	10 V
Shock resistance	DIN IEC 68-2-27:	50 g (11 ms)
Vibration resistance	DIN EN 60068-2-6	20 g (55...2000 Hz)
MTTF	[Years]	244
Mechanical data		
Process connection		internal thread M18 x 1.5 for adapter
Materials (wetted parts)		stainless steel 316L / 1.4404; O-ring: FKM 8 x 1.5 gr 80° Shore A
Housing materials		stainless steel 316L / 1.4404; V2A / 301 / 1.4310; PC (polycarbonate); PBT-GF 20; EPDM/X
Probe length L	[mm]	45
Weight	[kg]	0.237
Displays / operating elements		
Function display	LED	10 LEDs, three-colour
Electrical connection		
Connection		M12 connector

## Wiring



Remarks	
Remarks	*) for water; 5...100 cm/s; 25°C (factory setting) **) for water; 5...100 cm/s; 10...70°C
Pack quantity	[piece] 1