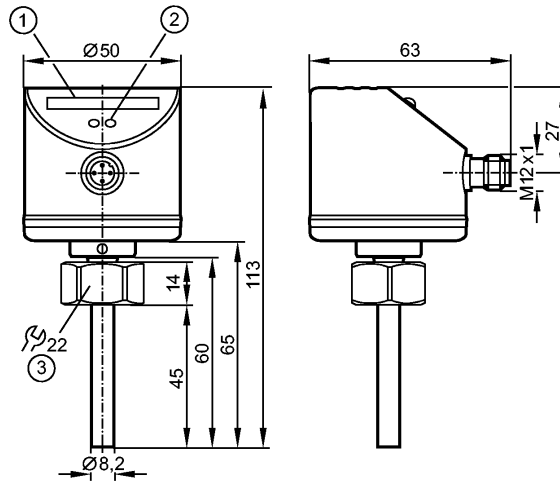


SID10ADBFPKG/US-100

Flow sensors



- 1: LED display
- 2: setting pushbutton
- 3: tightening torque 25 Nm



Product characteristics

Flow monitor

Compact type for adapter

Process connection: internal thread M18 x 1.5 for adapter

Probe length: 45 mm

2 switching outputs

Setting range: 3...300 cm/s (liquids)

Application

Application liquids and gases

Pressure rating [bar] 300

Medium temperature [°C] -25...80

Electrical data

Electrical design DC PNP

Operating voltage [V] 18...36 DC

Current consumption [mA] < 60

Protection class III

Reverse polarity protection yes

Outputs

Output function 2 x normally open / closed programmable

Current rating [mA] 2 x 250

Voltage drop [V] < 2.5

Short-circuit protection yes (non-latching)

Overload protection yes

Measuring / setting range

Liquids

Setting range [cm/s] 3...300

Greatest sensitivity [cm/s] 3...100

Gases

Setting range [cm/s] 200...3000

Greatest sensitivity [cm/s] 200...800

Accuracy / deviations

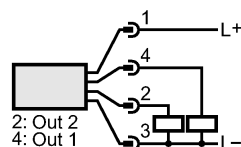
Switch point accuracy [cm/s] ± 2...± 10 *)

Hysteresis [cm/s] 2...5 *)

SI5002 - Flow monitor - eclass: 27273101 / 27-27-31-01

Repeatability	[cm/s]	1...5 *)
Temperature drift	[cm/s x 1/K]	0.1 **)
Max. temperature gradient of medium	[K/min]	300
Reaction times		
Power-on delay time	[s]	10
Response time	[s]	1...10
Software / programming		
Adjustment of the switch point		pushbuttons
Interfaces		
IO-Link Device		COM2 (38.4 kBaud)
Transfer type		COM2 (38.4 kBaud)
IO-Link revision		1.1
SDCI standard		IEC 61131-9
IO-Link Device ID		51 d / 00 00 33 h
Profiles		Smart Sensor: Process Data Variable; Device Identification
SIO mode		yes
Required master port class		A
Process data analogue		2
Process data binary		2
Min. process cycle time	[ms]	3.0
Environment		
Ambient temperature	[°C]	-25...80
Storage temperature	[°C]	-25...100
Protection		IP 65 / IP 67
Tests / approvals		
EMC		DIN EN 60947-5-9
Shock resistance		DIN IEC 60068-2-27: 50 g (11 ms)
Vibration resistance		DIN EN 60068-2-6 20 g (55...2000 Hz)
MTTF	[Years]	277
Mechanical data		
Process connection		internal thread M18 x 1.5 for adapter
Materials (wetted parts)		stainless steel 316L / 1.4404; O-ring: FKM 8 x 1.5 gr 80° Shore A
Housing materials		stainless steel 316L / 1.4404; V2A (1.4310); PC (polycarbonate); PBT-GF 20; EPDM/X
Probe length L	[mm]	45
Weight	[kg]	0.238
Displays / operating elements		
Function display	LED	10 LEDs, three-colour
Electrical connection		
Connection		M12 connector

Wiring



Pin 4: IO-Link

Remarks	
Remarks	*) for water; 5...100 cm/s; 25°C (factory setting) **) for water; 5...100 cm/s; 10...70°C
Pack quantity	[piece] 1