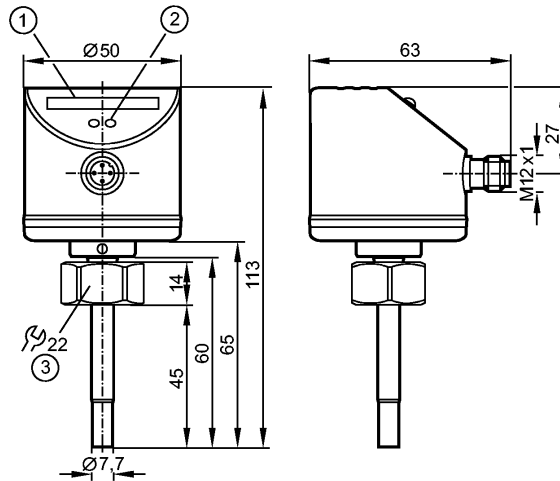


SID10ABBFNKG/US-100

Flow sensors



- 1: LED display
- 2: setting pushbutton
- 3: tightening torque 25 Nm



Product characteristics

Flow monitor

Compact type for adapter

Process connection: internal thread M18 x 1.5 for adapter

Probe length: 45 mm

Setting range: 3...300 cm/s (liquids)

Application

Application

liquids and gases

Pressure rating [bar]

30

Medium temperature [°C]

-25...80

Electrical data

Electrical design

DC NPN

Operating voltage [V]

19...36 DC

Current consumption [mA]

< 60

Protection class

III

Reverse polarity protection

yes

Outputs

Output function

normally open / closed programmable

Current rating [mA]

250

Voltage drop [V]

< 2.5

Short-circuit protection

yes (non-latching)

Overload protection

yes

Measuring / setting range

Liquids

Setting range [cm/s]

3...300

Greatest sensitivity [cm/s]

3...100

Gases

Setting range [cm/s]

200...3000

Greatest sensitivity [cm/s]

200...800

Accuracy / deviations

Switch point accuracy [cm/s]

± 2...± 10 \*)

Hysteresis [cm/s]

2...5 \*)

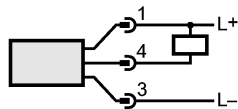
Repeatability [cm/s]

1...5 \*)

# SI5001 - Flow monitor - eclass: 27273101 / 27-27-31-01

Temperature drift [cm/s x 1/K]	0.1 **)
Max. temperature gradient of medium [K/min]	300
Reaction times	
Power-on delay time [s]	10
Response time [s]	1...10
Software / programming	
Adjustment of the switch point	pushbuttons
Environment	
Ambient temperature [°C]	-25...80
Storage temperature [°C]	-25...100
Protection	IP 67
Tests / approvals	
EMC	EN 61000-4-2 ESD: 4 kV CD / 8 kV AD EN 61000-4-3 HF radiated: 10 V/m EN 61000-4-4 Burst: 2 kV EN 61000-4-6 HF conducted: 10 V
Shock resistance	DIN IEC 68-2-27: 50 g (11 ms)
Vibration resistance	DIN EN 60068-2-6 20 g (55...2000 Hz)
MTTF [Years]	271
Mechanical data	
Process connection	internal thread M18 x 1.5 for adapter
Materials (wetted parts)	stainless steel 316L / 1.4404; O-ring: FKM 8 x 1.5 gr 80° Shore A
Housing materials	stainless steel 316L / 1.4404; V2A / 301 / 1.4310; PC (polycarbonate); PBT-GF 20; EPDM/X
Probe length L [mm]	45
Weight [kg]	0.235
Displays / operating elements	
Function display LED	10 LEDs, three-colour
Electrical connection	
Connection	M12 connector

## Wiring



Remarks	
Remarks	*) for water; 5...100 cm/s; 25°C (factory setting) **) for water; 5...100 cm/s; 10...70°C
Pack quantity [piece]	1