

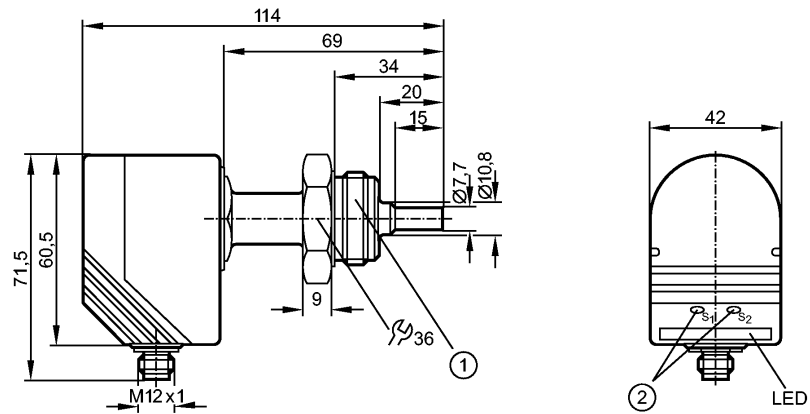
no longer available - archive entry replaced by: SI6100

efector300
SI2100



SIS30ABBFPKG/US-100-IPF

Flow sensors



- 1: Aseptoflex thread
- 2: setting pushbuttons



EHEDG Certified

Product characteristics

Flow monitor

Process connection: for Aseptoflex adapter

Probe length: 20 mm

Setting range: 3...300 cm/s (liquids)

Application

Application

hygienic systems

Pressure rating [bar]

30; only for the flow monitor, not for the adapter

Medium temperature [°C]

-25...95 (120 max. 1 h)

Electrical data

Electrical design

DC PNP

Operating voltage [V]

20...36 DC ¹⁾

Current consumption [mA]

< 80

Reverse polarity protection

yes

Outputs

Output function

normally open / closed programmable

Current rating [mA]

400

Voltage drop [V]

< 2.5

Short-circuit protection

yes (non-latching)

Overload protection

yes

Measuring / setting range

Liquids

Setting range [cm/s]

3...300

Greatest sensitivity [cm/s]

3...60

Gases

Setting range [cm/s]

200...3000

Greatest sensitivity [cm/s]

200...800

Accuracy / deviations

Max. temperature gradient of medium [K/min]

150

Reaction times

Power-on delay time [s]

15 **)

Response time [s]

1...10

Software / programming

Adjustment of the switch point

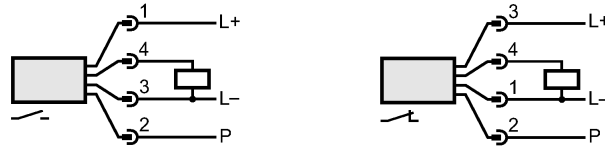
pushbuttons

Environment

SI2100 - Flow monitor - eclass: 27273101 / 27-27-31-01

Ambient temperature	[°C]	-20...60
Protection		IP 67
Tests / approvals		
Shock resistance		DIN IEC 68-2-27: 50 g (11 ms)
Vibration resistance		DIN EN 60068-2-6 20 g (55...2000 Hz)
Mechanical data		
Process connection		for Aseptoflex adapter
Materials (wetted parts)		stainless steel 316L / 1.4404; surface characteristics: Ra < 0.4 / Rz 4
Housing materials		stainless steel 316L / 1.4404; PBT-GF 20; FPM
Probe length L	[mm]	20
Weight	[kg]	0.374
Displays / operating elements		
Function display	LED	10 LEDs, three-colour
Electrical connection		
Connection		M12 connector; gold-plated contacts

Wiring



P = programming wire (for remote adjustment)

Remarks	
Remarks	<p>¹⁾ to EN50178, SELV, PELV ^{**)} optically indicated The 3-A qualification is only valid if adapters with 3-A qualification are used for installation.</p>
Pack quantity	[piece] 1