

replaced by: SI5007

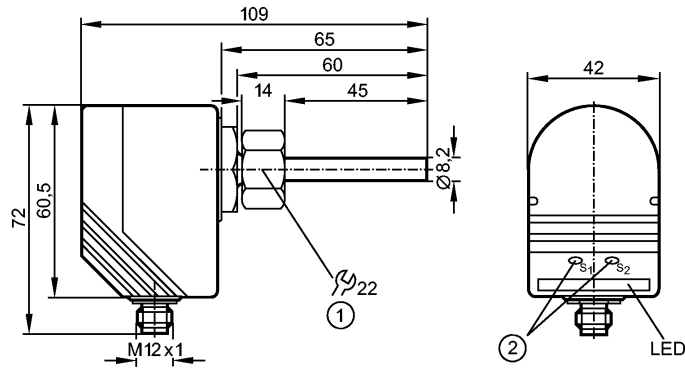
efector300

SI1007



SID10ADBFPKG/US-100-IPF

Flow sensors



1: internal thread M18 x 1.5

2: setting pushbuttons



Product characteristics

Flow monitor

Compact type for adapter

Process connection: internal thread M18 x 1.5 for adapter

Probe length: 45 mm

1 switching output for flow monitoring

1 switching output for temperature monitoring or

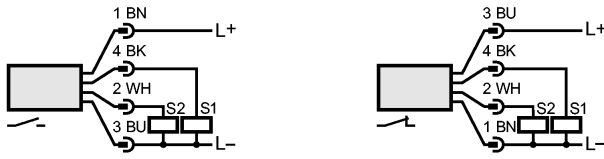
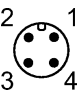
logic combination flow/temperature

Setting range: 3...300 cm/s (liquids)

Application

Application	liquids and gases
Pressure rating [bar]	300
Medium temperature [°C]	-25...80
Electrical data	
Electrical design	DC PNP
Operating voltage [V]	20...36 DC ¹⁾
Current consumption [mA]	< 90
Reverse polarity protection	yes
Outputs	
Output function	2 x normally open / closed programmable
Current rating [mA]	2 x 250
Voltage drop [V]	< 2.5
Short-circuit protection	yes (non-latching)
Overload protection	yes
Measuring / setting range	
Liquids	
Setting range [cm/s]	3...300
Greatest sensitivity [cm/s]	3...60
Gases	
Setting range [cm/s]	200...3000
Greatest sensitivity [cm/s]	200...800
Temperature monitoring	
Setting range [°C]	0...80
Accuracy / deviations	
Max. temperature gradient of medium [K/min]	300

SI1007 - Flow monitor - eclass: 27273101 / 27-27-31-01

Temperature monitoring		
Switch point accuracy [K]		± 3 ($v > 5\text{cm/s}$) / ± 5 ($v > 100\text{cm/s}$) ***)
Hysteresis [K]		2
Repeatability [K]		± 2
Response time temperature (typ.) [s]		5
Resolution [K]		1
Reaction times		
Power-on delay time [s]		15 **)
Response time [s]		1...10
Software / programming		
Adjustment of the switch point		pushbuttons
Environment		
Ambient temperature [°C]		-25...80 (UB < 28 V DC) / ... 60 (UB > 28 V DC)
Protection		IP 67
Tests / approvals		
Shock resistance	DIN IEC 68-2-27:	50 g (11 ms)
Vibration resistance	DIN EN 60068-2-6	20 g (55...2000 Hz)
Mechanical data		
Process connection		internal thread M18 x 1.5 for adapter
Materials (wetted parts)		stainless steel 316L / 1.4404; O-ring: FKM 8 x 1.5 gr 80° Shore A
Housing materials		PBT-GF 20
Probe length L [mm]		45
Weight [kg]		0.284
Displays / operating elements		
Function display LED		10 LEDs, three-colour
Electrical connection		
Connection		M12 connector
Wiring		
<p>S1: flow monitoring S2: temperature monitoring or logic combination flow/temperature</p>  <p>2 1  3 4</p>		
Remarks		
Remarks		1) to EN50178, SELV, PELV **) optically indicated ***) liquids / gases
Pack quantity [piece]		1