

no longer available - archive entry replaced by: SI5004

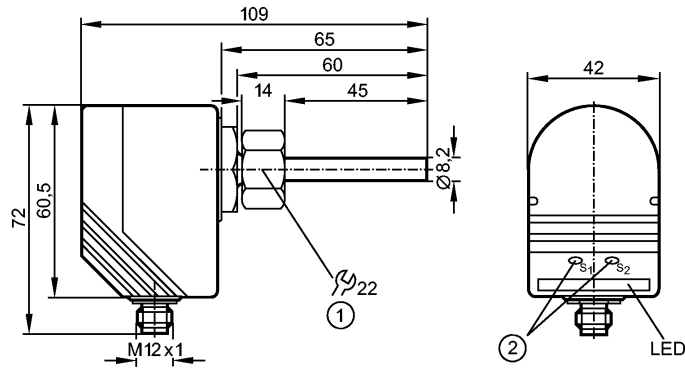
efector300

SI1004



SID10ADB100G/US-100-IAZ

Flow sensors



1: internal thread M18 x 1.5

2: setting pushbuttons



Product characteristics

Flow transmitter

Compact type for adapter

Process connection: internal thread M18 x 1.5 for adapter

Analog output

Setting range: 3...60 cm/s (liquids)

Application

Application

liquids

Pressure rating [bar]

300

Medium temperature Liquids [°C]

-25...80

Medium temperature Gases [°C]

-

Electrical data

Electrical design

DC

Operating voltage [V]

20...36 DC 1)

Current consumption [mA]

90 without load

Reverse polarity protection

yes

Outputs

Output function

4...20 mA analog

Overload protection

yes

Analog output

4...20 mA, max. > 22 mA

Max. load [Ω]

500

Measuring / setting range

Liquids

Setting range [cm/s]

3...60

Gases

Setting range [cm/s]

-

Reaction times

Power-on delay time [s]

15 **)

Response time [s]

1...10

Environment

Ambient temperature [°C]

-25...80

Protection

IP 67

Tests / approvals

Shock resistance

DIN IEC 68-2-27:

50 g (11 ms)

Vibration resistance

DIN EN 60068-2-6

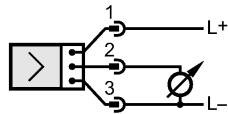
20 g (55...2000 Hz)

Mechanical data

SI1004 - Flow transmitter - eclass: 27273101 / 27-27-31-01

Process connection	internal thread M18 x 1.5 for adapter
Materials (wetted parts)	stainless steel 316L / 1.4404; O-ring: FPM 8 x 1.5 gr 80° Shore A
Housing materials	PBT-GF 20
Weight [kg]	0.253
Displays / operating elements	
Function display LED	10 LEDs, two-colour
Electrical connection	
Connection	M12 connector

Wiring



Remarks	
Remarks	<p>1) to EN50178, SELV, PELV; referring to UL: "limited voltage" with overcurrent protection in accordance with UL508 **) optically indicated</p>
Pack quantity [piece]	1