

no longer available - archive entry replaced by: SI5003

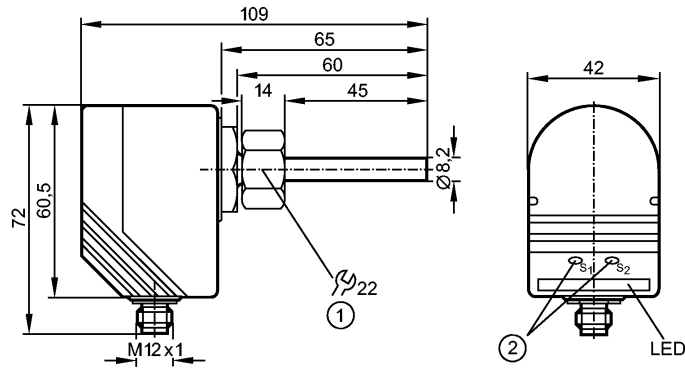
**efector300**

SI1003



SID10ADBFNKG/US-100-INF

Flow sensors



1: internal thread M18 x 1.5

2: setting pushbuttons



Product characteristics

Flow monitor

Compact type for adapter

Process connection: internal thread M18 x 1.5 for adapter

2 switching outputs

Setting range: 3...300 cm/s (liquids)

Application

Application

liquids and gases

Pressure rating [bar]

300

Medium temperature [°C]

-25...80

Electrical data

Electrical design

DC NPN

Operating voltage [V]

20...36 DC 1)

Current consumption [mA]

< 90

Reverse polarity protection

yes

Outputs

Output function

2 x normally open / closed programmable

Current rating [mA]

2 x 250

Voltage drop [V]

< 2.5

Short-circuit protection

yes (non-latching)

Overload protection

yes

Measuring / setting range

Liquids

Setting range [cm/s]

3...300

Greatest sensitivity [cm/s]

3...60

Gases

Setting range [cm/s]

200...3000

Greatest sensitivity [cm/s]

200...800

Accuracy / deviations

Max. temperature gradient of medium [K/min]

300

Reaction times

Power-on delay time [s]

15 \*)

Response time [s]

1...10

Software / programming

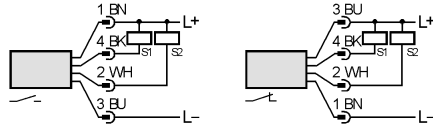
Adjustment of the switch point

pushbuttons

# SI1003 - Flow monitor - eclass: 27273101 / 27-27-31-01

|                               |   |
|-------------------------------|---|
| Environment                   |   |
| Ambient temperature [°C]      | -25...80  |
| Protection                    | IP 67   |
| Tests / approvals             |   |
| Shock resistance              | DIN IEC 68-2-27: 50 g (11 ms)                                     |
| Vibration resistance          | DIN EN 60068-2-6 20 g (55...2000 Hz)                              |
| Mechanical data               |   |
| Process connection            | internal thread M18 x 1.5 for adapter                             |
| Materials (wetted parts)      | stainless steel 316L / 1.4404; O-ring: FPM 8 x 1.5 gr 80° Shore A |
| Housing materials             | PBT-GF 20   |
| Weight [kg]                   | 0.255   |
| Displays / operating elements |   |
| Function display LED          | 10 LEDs, three-colour   |
| Electrical connection         |   |
| Connection                    | M12 connector   |

## Wiring



|                       |   |
|-----------------------|---|
| Remarks               |   |
| Remarks               | 1) to EN50178, SELV, PELV<br>*) optically indicated |
| Pack quantity [piece] | 1   |

ifm efector, inc. • 1100 Atwater Drive • Malvern • PA 19355 — We reserve the right to make technical alterations without prior notice. — US — SI1003 — 14.12.2004  
no longer available - archive entryreplaced by: SI5003