

no longer available - archive entry replaced by: SI5002

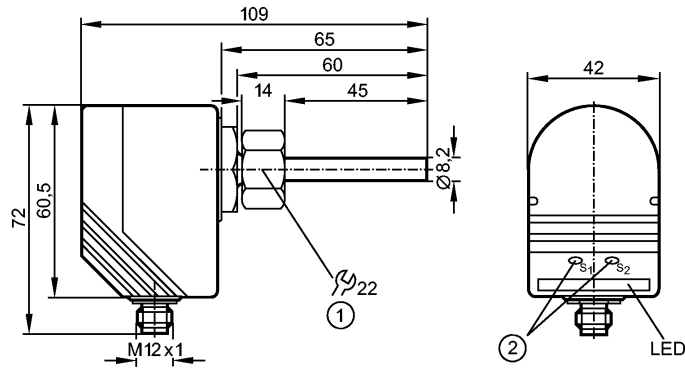
efector300

SI1002



SID10ADBFPKG/US-100-IPF

Flow sensors



1: internal thread M18 x 1.5

2: setting pushbuttons



Product characteristics

Flow monitor

Compact type for adapter

Process connection: internal thread M18 x 1.5 for adapter

2 switching outputs

Setting range: 3...300 cm/s (liquids)

Application

Application

liquids and gases

Pressure rating [bar]

300

Medium temperature [°C]

-25...80

Electrical data

Electrical design

DC PNP

Operating voltage [V]

20...36 DC 1)

Current consumption [mA]

< 90

Reverse polarity protection

yes

Outputs

Output function

2 x normally open / closed programmable

Current rating [mA]

2 x 250

Voltage drop [V]

< 2.5

Short-circuit protection

yes (non-latching)

Overload protection

yes

Measuring / setting range

Liquids

Setting range [cm/s]

3...300

Greatest sensitivity [cm/s]

3...60

Gases

Setting range [cm/s]

200...3000

Greatest sensitivity [cm/s]

200...800

Accuracy / deviations

Max. temperature gradient of medium [K/min]

300

Reaction times

Power-on delay time [s]

15 *)

Response time [s]

1...10

Software / programming

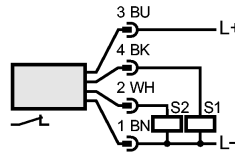
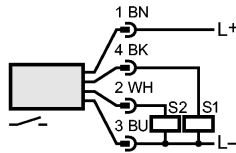
Adjustment of the switch point

pushbuttons

SI1002 - Flow monitor - eclass: 27273101 / 27-27-31-01

Environment	
Ambient temperature [°C]	-25...80
Protection	IP 67
Tests / approvals	
Shock resistance	DIN IEC 68-2-27: 50 g (11 ms)
Vibration resistance	DIN EN 60068-2-6 20 g (55...2000 Hz)
Mechanical data	
Process connection	internal thread M18 x 1.5 for adapter
Materials (wetted parts)	stainless steel 316L / 1.4404; O-ring: FPM 8 x 1.5 gr 80° Shore A
Housing materials	PBT-GF 20
Weight [kg]	0.255
Displays / operating elements	
Function display LED	10 LEDs, three-colour
Electrical connection	
Connection	M12 connector

Wiring



Remarks	
Remarks	1) to EN50178, SELV, PELV *) optically indicated
Pack quantity [piece]	1