

no longer available - archive entry Alternative article: SI5001 or SI5011

Note: pressure resistance for SI5001 = 30 bar

When selecting an alternative article and accessories please note that technical data may differ!

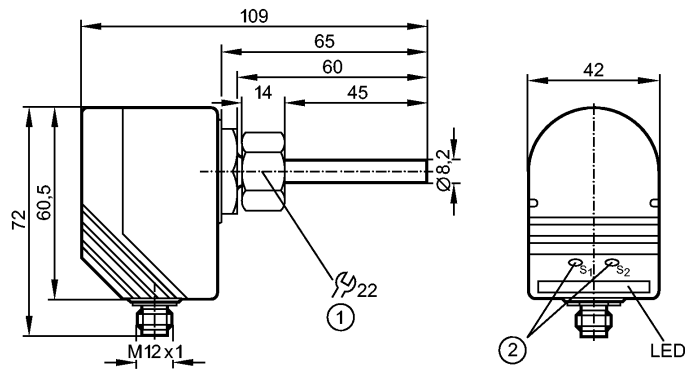
efector300

SI1001



SID10ADBFNKG/US-100-INF

Flow sensors



1: internal thread M18 x 1.5

2: setting pushbuttons



Product characteristics

Flow monitor

Compact type for adapter

Process connection: internal thread M18 x 1.5 for adapter

Setting range: 3...300 cm/s (liquids)

Application

Application

liquids and gases

Pressure rating [bar]

300

Medium temperature [°C]

-25...80

Electrical data

Electrical design

DC NPN

Operating voltage [V]

20...36 DC ¹⁾

Current consumption [mA]

< 80

Reverse polarity protection

yes

Outputs

Output function

normally open / closed programmable

Current rating [mA]

400

Voltage drop [V]

< 2.5

Short-circuit protection

yes (non-latching)

Overload protection

yes

Measuring / setting range

Liquids

Setting range [cm/s]

3...300

Greatest sensitivity [cm/s]

3...60

Gases

Setting range [cm/s]

200...3000

Greatest sensitivity [cm/s]

200...800

Accuracy / deviations

Max. temperature gradient of medium [K/min]

300

Reaction times

Power-on delay time [s]

15 *)

Response time [s]

1...10

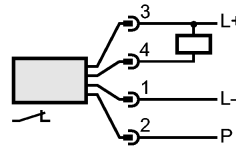
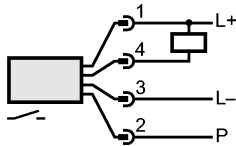
Software / programming

SI1001 - Flow monitor - eclass: 27273101 / 27-27-31-01

Adjustment of the switch point	pushbuttons	
Environment		
Ambient temperature [°C]	-25...80	
Protection	IP 67	
Tests / approvals		
Shock resistance	DIN IEC 68-2-27:	50 g (11 ms)
Vibration resistance	DIN EN 60068-2-6	20 g (55...2000 Hz)
Mechanical data		
Process connection	internal thread M18 x 1.5 for adapter	
Materials (wetted parts)	stainless steel 316L / 1.4404; O-ring: FPM 8 x 1.5 gr 80° Shore A	
Housing materials	PBT-GF 20	
Displays / operating elements		
Function display LED	10 LEDs, three-colour	
Electrical connection		
Connection	M12 connector	

Wiring

P = programming wire (for remote adjustment)



Remarks		
Remarks	¹⁾ to EN50178, SELV, PELV [*]) optically indicated	
Pack quantity [piece]	1	

ifm efector, inc. • 1100 Atwater Drive • Malvern • PA 19355 — We reserve the right to make technical alterations without prior notice. — US — SI1001 — 14.12.2004
 no longer available - archive entry Alternative article: SI5001 or SI5011

Note: pressure resistance for SI5001 = 30 bar

When selecting an alternative article and accessories please note that technical data may differ!