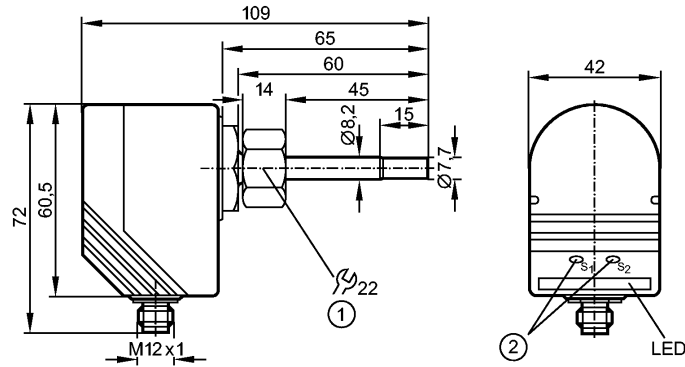


**SI0508**

SID10ABBFPKG/US-100-IPF

Flow sensors



1: internal thread M18 x 1.5  
2: setting pushbuttons



**Product characteristics**

Flow monitor	
Compact type for adapter	
Process connection: internal thread M18 x 1.5 for adapter	
Probe length: 45 mm	
Simple switch point adjustment by shifting the detection range	
Setting range: 3...300 cm/s (liquids)	

**Application**

Application	liquids and gases
Pressure rating [bar]	30
Medium temperature [°C]	-25...80

**Electrical data**

Electrical design	DC PNP
Operating voltage [V]	20...36 DC 1)
Current consumption [mA]	< 80
Reverse polarity protection	yes

**Outputs**

Output function	normally open / closed programmable
Current rating [mA]	400
Voltage drop [V]	< 2.5
Short-circuit protection	yes (non-latching)
Overload protection	yes

**Measuring / setting range**

Liquids	
Setting range [cm/s]	3...300
Greatest sensitivity [cm/s]	3...60
Gases	
Setting range [cm/s]	200...3000
Greatest sensitivity [cm/s]	200...800

**Reaction times**

Power-on delay time [s]	10 *)
Response time [s]	1...10

**SI0508**

SID10ABBFPKG/US-100-IPF

**Flow sensors**

**Software / programming**

Adjustment of the switch point	+/- push buttons
--------------------------------	------------------

**Environment**

Ambient temperature [°C]	-25...80 (UB < 28 V DC) / ... 60 (UB > 28 V DC)
Protection	IP 67

**Tests / approvals**

Shock resistance	DIN IEC 68-2-27:	50 g (11 ms)
Vibration resistance	DIN EN 60068-2-6	20 g (55...2000 Hz)
MTTF [Years]		258

**Mechanical data**

Process connection	internal thread M18 x 1.5 for adapter
Materials (wetted parts)	stainless steel 316L / 1.4404; O-ring: FKM 8 x 1.5 gr 80° Shore A
Housing materials	PBT-GF 20
Probe length L [mm]	45
Weight [kg]	0.274

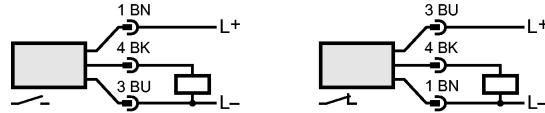
**Displays / operating elements**

Function display	LED	10 LEDs, three-colour
------------------	-----	-----------------------

**Electrical connection**

Connection	M12 connector
------------	---------------

**Wiring**



**Remarks**

Remarks	1) to EN50178, SELV, PELV *) optically indicated
---------	---

Pack quantity [piece]	1
-----------------------	---