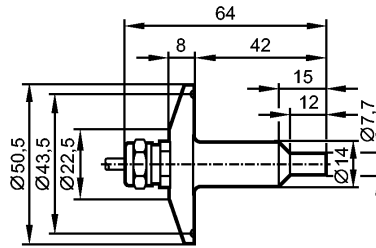


SF0516

SFG14ZBB/6M

Flow sensors



Product characteristics

Flow sensor for connection to evaluation units

Cable

Process connection: Clamp ISO 2852 DN25

Hygienic fitting

Application

Application high temperature, hygienic applications

Pressure rating [bar] 30

Medium temperature Liquids [°C] 0...120

Medium temperature Gases [°C] 0...100

Electrical data

Connection to control monitor VS3000

Measuring / setting range

Liquids

Setting range [cm/s] 3...300

Greatest sensitivity [cm/s] 3...60

Gases

Setting range [cm/s] 200...2000

Greatest sensitivity [cm/s] 200...800

Accuracy / deviations

Max. temperature gradient of medium [K/min] 15

Reaction times

Response time [s] 1...10

Environment

Protection IP 67

Tests / approvals

Shock resistance DIN IEC 68-2-27: 40 g (11 ms)

Vibration resistance DIN IEC 68-2-6: 10 g (55...2000 Hz)

MTTF [Years] 8648

Mechanical data

Process connection Clamp ISO 2852 DN25

Materials (wetted parts) stainless steel 316Ti / 1.4571

Housing materials stainless steel 316Ti / 1.4571

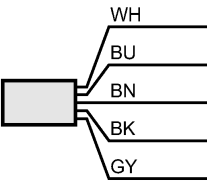
Probe length L [mm] 42

Weight [kg] 0.487

SF0516

SFG14ZBB/6M

Flow sensors

Electrical connection	
Connection	silicone-sheated cable / 6 m; 5 x 0.34 mm ²
Max. cable length [m]	100 (5 x 0.5mm ²)
Wiring	
Core colors	
BN	brown
BU	blue
BK	black
WH	white
GY	grey
	

Remarks	
Remarks	The 3-A qualification is only valid if adapters with 3-A qualification are used for installation.
Pack quantity [piece]	1