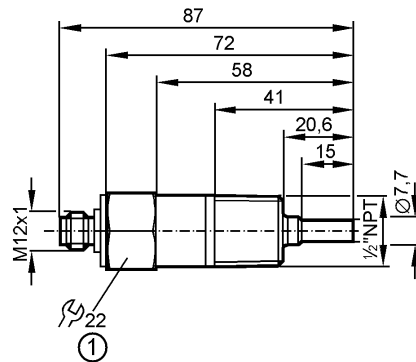


SCN12FFBBBOA

Flow sensors



1: Tightening torque max. 100 Nm (with stainless steel adapter) or according to ANSI B1.20.1



Product characteristics

Flow monitor

Compact type

Process connection: 1/2" NPT

Factory setting of the switch point

15 cm/s

(to water (20 °C) and mounting in 4" pipe)

Application

Application

water

Pressure rating [bar]

25

Medium temperature [°C]

-10...60 *)

Electrical data

Electrical design

AC/DC PNP

Operating voltage [V]

24 AC/DC ± 15% (AC: 47...63 Hz ¹⁾)

Withstand voltage [V DC]

500

Current consumption [mA]

< 50

Protection class

III

Reverse polarity protection

yes

Outputs

Output function

normally open

Current rating [mA]

80 AC / 80 DC

Voltage drop [V]

< 0.8

Short-circuit protection

no

Overload protection

no

Reaction times

Power-on delay time [s]

15

Response time [s]

1...10

Environment

MAWP (for applications according to CRN) [bar]

25

Ambient temperature [°C]

-20...70

Storage temperature [°C]

-40...70

Protection

IP 67

Tests / approvals

EMC

DIN EN 61000-6-2

DIN EN 61000-6-3

Shock resistance

DIN EN 60068-2-27

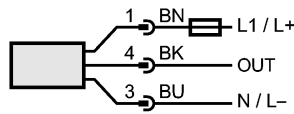
50 g (11 ms)

SC0501 - Flow monitor - eclass: 27273101 / 27-27-31-01

Vibration resistance	DIN EN 60068-2-6	20 g (10...2000 Hz)
Mechanical data		
Process connection		1/2" NPT
Materials (wetted parts)		stainless steel 316L / 1.4404
Housing materials		stainless steel 316L / 1.4404
Weight [kg]		0.121
Electrical connection		
Connection		M12 connector
Max. cable length [m]		10

Wiring

Core colors
 BK black
 BN brown
 BU blue



OUT: Switching output
 Note: miniature fuse to IEC60127-2 sheet 1,
 ≤ 2 A (fast acting)
 Colours to DIN EN 60947-5-2

Remarks	
Remarks	<p>1) to EN50178, SELV, PELV *) in case of medium temperatures < 4°C the data refer to water/glycol (40% glycol)</p>
Pack quantity [piece]	1