

no longer available - archive entry Alternative article: SA5000

When selecting an alternative article and accessories please note that technical data may differ!

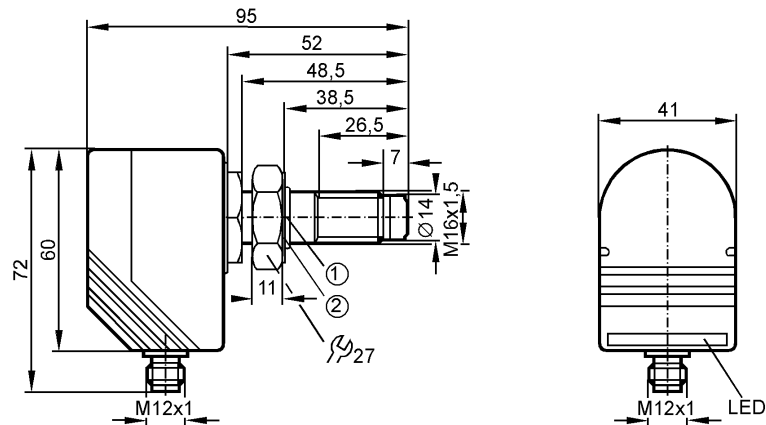
efector300

SA1000



SAM16BBD100G/W/US

Flow sensors



- 1: O-ring
- 2: compression washer



Product characteristics

Flow transmitter

Compact type M16 x 1.5

Analog output

Application

Application

pipes DN 40...DN 100, water *)

Pressure rating [bar]

30

Medium temperature [°C]

0...80

Electrical data

Electrical design

DC analog

Operating voltage [V]

20...28 DC 1)

Current consumption [mA]

< 80

Reverse polarity protection

yes

Outputs

Output function

current output

Short-circuit protection

no

Overload protection

yes

Analog output

4...20 mA **)

Max. load [Ω]

500

Measuring / setting range

Flow range [cm/s]

3...150

Accuracy / deviations

Repeatability [% of Sr]

7 (v < 150 cm/s), 3 (v < 50 cm/s)

Max. temperature gradient of medium [K/min]

200

Accuracy [% of the final value]

max. ± 10

Reaction times

Power-on delay time [s]

15

Response time [s]

5 (10%...90%)

Environment

Ambient temperature [°C]

-20...60

Protection

IP 67

Tests / approvals

MTTF

[Years]

389

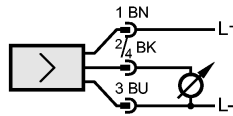
Mechanical data

SA1000 - Flow transmitter - eclass: 27273101 / 27-27-31-01

Materials (wetted parts)	stainless steel 316L / 1.4404; stainless steel 316Ti / 1.4571; O-ring: NBR 15 x 2.1 sw 70° Shore A
Housing materials	PBT-GF 20
Weight [kg]	0.269
Displays / operating elements	
Function display LED	10 LEDs green (in 10 % steps of the final value)
Electrical connection	
Connection	M12 connector

Wiring

Core colors
 BN brown
 BU blue
 BK black
 WH white



Remarks

Remarks

1) to EN50178, SELV, PELV
 *) Clean water without contamination and additives.
 Dirt/build-up on the sensor tip affects the measurement accuracy.
 Recommended maintenance: Check the sensor tip for build-up from time to time.
 If necessary, clean it with a soft cloth and a vinegar cleansing agent.
 **) linearised

Pack quantity [piece]

1

ifm efector, inc. • 1100 Atwater Drive • Malvern • PA 19355 — We reserve the right to make technical alterations without prior notice. — US — SA1000 — 17.12.2003
 no longer available - archive entry Alternative article: SA5000

When selecting an alternative article and accessories please note that technical data may differ!