

no longer available - archive entryDiscontinued article

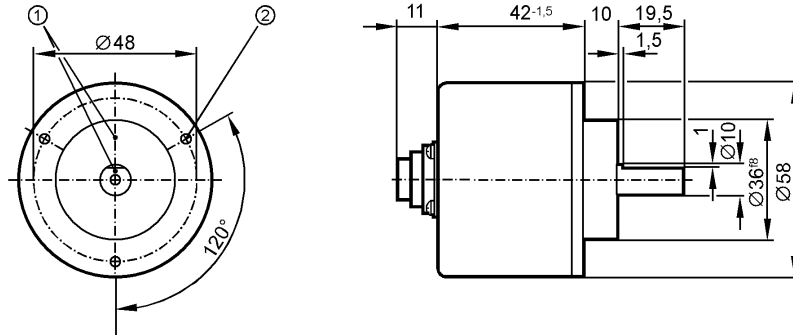
efector 400[®]

RV6092



RV-0100-I24/S

Encoders



- 1: reference mark
- 2: M3 5 mm deep



Product characteristics

Solid shaft encoder

HTL-output 50 mA, short-circuit protected, < 1 min

Quick disconnect

Resolution 100

Electrical data

Operating voltage [V]

10...30 DC

Current consumption [mA]

150

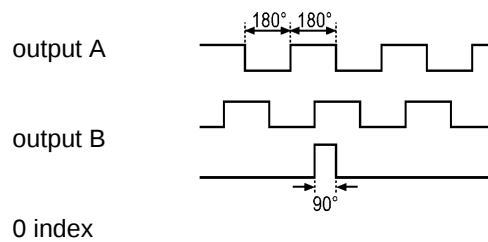
Phase difference A und B [°]

90

Switching frequency [kHz]

300

Pulse diagram



Outputs

Output function

HTL-output 50 mA, short-circuit protected, < 1 min

Measuring / setting range

Encoders

Resolution

100

Mechanical data

Max. permissible rpm / mech. [1/min]

12000

Starting torque [Ncm]

< 1 (20 °C)

Max. shaft load (at the shaft end) [N]

axial 10; radial 20

Shaft, material [mm]

Ø 10, steel (1.4104)

Vibration resistance

10 g (58...2000 Hz)

Shock resistance

100 g (11 ms)

Housing materials

aluminum

Weight [kg]

0.044

Environment

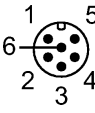
Max. relative air humidity [%]

98

Ambient temperature [°C]

-20...70

RV6092 - Solid shaft encoder - eclass: 27270590 / 27-27-05-90

Storage temperature	[°C]	-30...100
Protection		IP 64
Tests / approvals		
MTTF	[Years]	190
Electrical connection		
Connection		flange plug; axial; 6-pole
Wiring		
1: L+		
2: A		
3: screen housing		
4: B		
5: 0 index		
6: 0V		
Remarks		
Pack quantity	[piece]	1

ifm efector, inc. • 1100 Atwater Drive • Malvern • PA 19355 — We reserve the right to make technical alterations without prior notice. — US — RV6092 — 25.07.2011
no longer available - archive entryDiscontinued article