

no longer available - archive entryArticle discontinued as of 31.March 2016

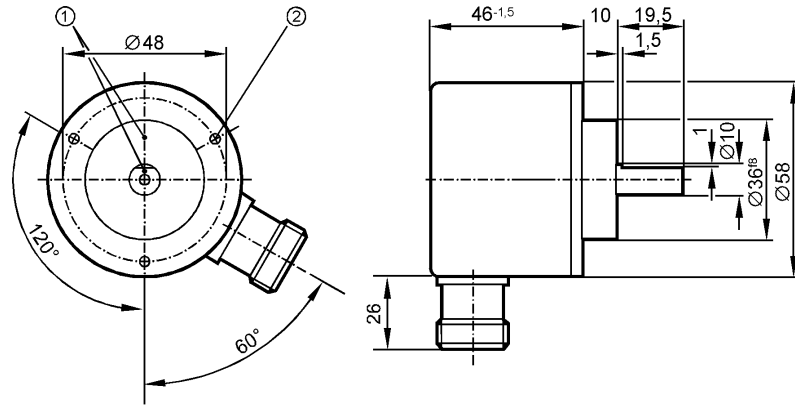
efector 400[®]

RV6087



RV-2500-I24/K

Encoders



- 1: reference mark
- 2: M3 5 mm deep



Product characteristics

Solid shaft encoder

HTL-output 50 mA, short-circuit protected, < 1 min

Quick disconnect

Resolution 2500

Electrical data

Operating voltage [V]

10...30 DC

Current consumption [mA]

150

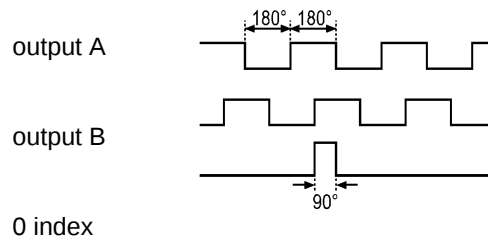
Phase difference A und B [°]

90

Switching frequency [kHz]

160

Pulse diagram



Outputs

Output function

HTL-output 50 mA, short-circuit protected, < 1 min

Measuring / setting range

Encoders

Resolution

2500

Mechanical data

Max. permissible rpm / mech. [1/min]

12000

Starting torque [Ncm]

< 1 (20 °C)

Max. shaft load (at the shaft end) [N]

axial 10; radial 20

Shaft, material [mm]

Ø 10, steel (1.4104)

Vibration resistance

15 g (55...2000 Hz)

Shock resistance

100 g (6 ms)

Housing materials

aluminum

Weight [kg]

0.4

Environment

Max. relative air humidity [%]

max. 98

Ambient temperature [°C]

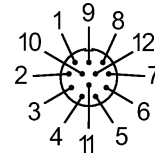
-30...85

RV6087 - Solid shaft encoder - eclass: 27270590 / 27-27-05-90

Storage temperature	[°C]	-30...100
Protection		IP 64
Tests / approvals		
MTTF	[Years]	190
Electrical connection		
Connection		M23 flange plug; radial; ifm 1001.4

Wiring

- 1: B (inv.) 8: B
- 2: L+ (sensor) 9: n.c.
- 3: 0 index 10: 0V
- 4: 0 index 11: 0V
- (inv.) (sensor)
- 5: A 12: L+
- 6: A (inv.)
- 7: error (inv.)



Remarks

Pack quantity	[piece]	1
---------------	---------	---

ifm efector, inc. • 1100 Atwater Drive • Malvern • PA 19355 — We reserve the right to make technical alterations without prior notice. — US — RV6087 — 01.09.2010
no longer available - archive entryArticle discontinued as of 31.March 2016