

Alternative article: RV3500

When selecting an alternative article and accessories please note that technical data may differ!

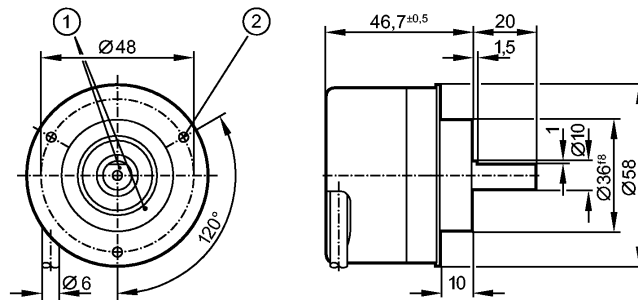
efector 400

RV6003



RV-0100-I24/L2

Encoders



1: reference mark
2: M3 5 mm deep



Product characteristics

Solid shaft encoder

HTL-output 50 mA, short-circuit protected, < 1 min

Cable

6 signals

Resolution 100

Electrical data

Operating voltage [V]

10...30 DC

Current consumption [mA]

< 150

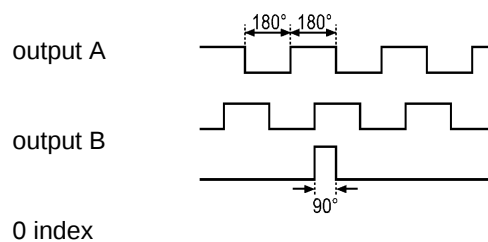
Phase difference A und B [°]

90

Switching frequency [kHz]

300

Pulse diagram



Outputs

Output function

HTL-output 50 mA, short-circuit protected, < 1 min

Measuring / setting range

Encoders

Resolution

100

Mechanical data

Max. permissible rpm / mech. [1/min]

12000

Starting torque [Ncm]

< 1 (20 °C)

Max. shaft load (at the shaft end) [N]

axial 10; radial 20

Shaft, material [mm]

Ø 10, steel (1.4104)

Vibration resistance

30 g

Shock resistance

200 g

Housing materials

aluminum

Weight [kg]

0.469

Environment

Max. relative air humidity [%]

max. 98

Ambient temperature [°C]

-40...100, -40 °C for firmly laid cable

RV6003 - Solid shaft encoder - eclass: 27270590 / 27-27-05-90

Protection	IP 64; IP 67 (housing); IP 64 (shaft)
Tests / approvals	
MTTF [Years]	190
Electrical connection	
Connection	PUR cable / 2 m; radial, can also be used axially
Max. cable length [m]	300
Wiring	
brown:	A
green:	A (inv.)
grey:	B
pink:	B (inv.)
red:	0 index
black:	0 index (inv.)
blue:	L+ (sensor)
white:	0V (sensor)
brown/green:	L+ (Up)
white/green:	0V (Un)
lilac:	error (inv.)
screen:	housing
Remarks	
Pack quantity [piece]	1

ifm efector, inc. • 1100 Atwater Drive • Malvern • PA 19355 — We reserve the right to make technical alterations without prior notice. — US — RV6003 — 01.09.2010

Alternative article: RV3500

When selecting an alternative article and accessories please note that technical data may differ!