

Alternative article: RV3500

When selecting an alternative article and accessories please note that technical data may differ!

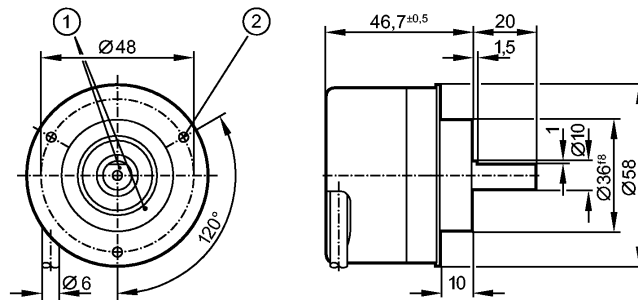
efector 400

RV1016



RV-0500-I05/L2

Encoders



1: reference mark
2: M3 5 mm deep



Product characteristics

Solid shaft encoder

TTL output 20 mA

Cable

6 signals

Resolution 500

Electrical data

Operating voltage [V]

5 DC ± 0.5

Current consumption [mA]

< 120

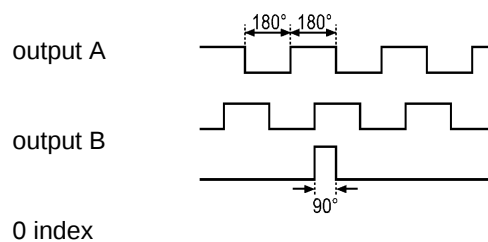
Phase difference A und B [°]

90

Switching frequency [kHz]

300

Pulse diagram



Outputs

Output function

TTL output 20 mA

Measuring / setting range

Encoders

Resolution

500

Mechanical data

Max. permissible rpm / mech. [1/min]

12000

Starting torque [Ncm]

< 1 (20 °C)

Max. shaft load (at the shaft end) [N]

axial 10; radial 20

Shaft, material [mm]

Ø 10, steel (1.4104)

Vibration resistance

30 g

Shock resistance

200 g

Housing materials

aluminum

Weight [kg]

0.468

Environment

Max. relative air humidity [%]

max. 98

Ambient temperature [°C]

-40...100, -40 °C for firmly laid cable

RV1016 - Solid shaft encoder - eclass: 27270590 / 27-27-05-90

Protection	IP 64; IP 67 (housing); IP 64 (shaft)	
Tests / approvals		
MTTF [Years]	190	
Electrical connection		
Connection	PUR cable / 2 m; radial, can also be used axially	
Max. cable length [m]	100	
Wiring		
brown: A	blue:	L+
green: A		(sensor)
(inv.)	white:	0V
grey: B		(sensor)
pink: B	brown/green:	L+ (Up)
(inv.)	white/green:	0V (Un)
red: 0	lilac:	error
index		(inv.)
black: 0	screen:	housing
index		
(inv.)		
Remarks		
Pack quantity [piece]	1	

ifm efector, inc. • 1100 Atwater Drive • Malvern • PA 19355 — We reserve the right to make technical alterations without prior notice. — US — RV1016 — 01.09.2010

Alternative article: RV3500

When selecting an alternative article and accessories please note that technical data may differ!