

no longer available - archive entryArticle discontinued as of 31.March 2016

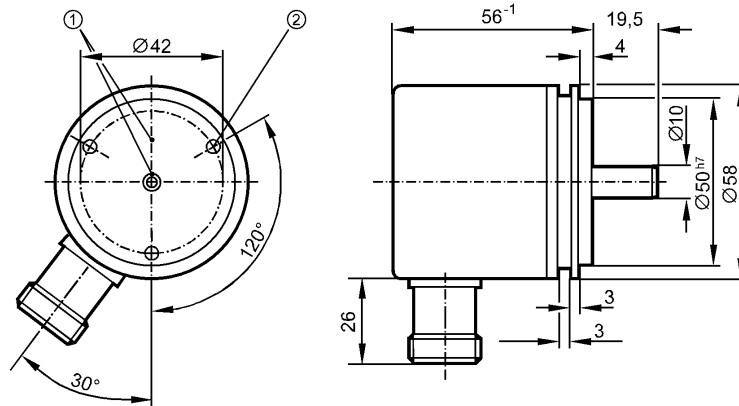
efector 400[®]

RU6113



RU-6000-I24/K R

Encoders



1: reference mark
2: M4 5 mm deep



Product characteristics

Solid shaft encoder

HTL-output 50 mA, short-circuit protected, < 1 min

flange plug

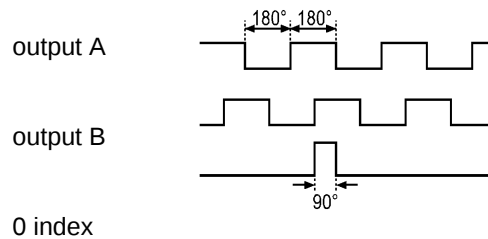
Synchro-flange

Resolution 6000

Electrical data

Operating voltage	[V]	10...30 DC
Current consumption	[mA]	150
Phase difference A und B	[°]	90
Switching frequency	[kHz]	300

Pulse diagram



Outputs

Output function HTL-output 50 mA, short-circuit protected, < 1 min

Measuring / setting range

Encoders

Resolution 6000

Mechanical data

Max. permissible rpm / mech. [1/min]	12000
Starting torque [Ncm]	< 1 (20 °C)
Max. shaft load (at the shaft end) [N]	axial 10; radial 20
Shaft, material [mm]	Ø 10, steel (1.4104)
Vibration resistance	15 g (55...2000 Hz)
Shock resistance	100 g (6 ms)
Housing materials	aluminum
Weight [kg]	0.423

Environment

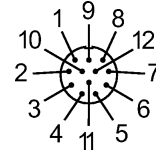
Max. relative air humidity [%] max. 98

RU6113 - Solid shaft encoder - eclass: 27270590 / 27-27-05-90

Ambient temperature	[°C]	-30...85
Storage temperature	[°C]	-30...100
Protection		IP 64
Tests / approvals		
MTTF	[Years]	190
Electrical connection		
Connection		M23 flange plug; radial; ifm 1001.4

Wiring

- 1: B (inv.) 7: error
- 2: L+ (inv.)
- (sensor) 8: B
- 3: 0 index 9: n.c.
- 4: 0 index 10: 0V (Un)
- (inv.) 11: 0V
- 5: A (sensor)
- 6: A (inv.) 12: L+



screen: housing

Remarks

Pack quantity	[piece]	1
---------------	---------	---

ifm efector, inc. • 1100 Atwater Drive • Malvern • PA 19355 — We reserve the right to make technical alterations without prior notice. — US — RU6113 — 01.09.2010
 no longer available - archive entryArticle discontinued as of 31.March 2016