

no longer available - archive entryDiscontinued article

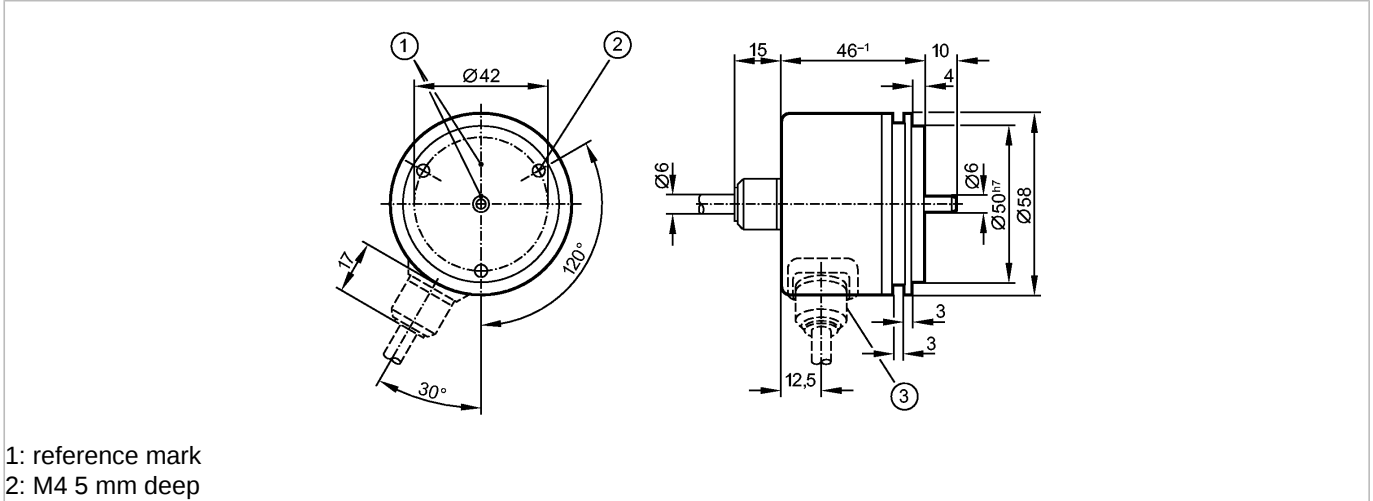
efector 400[®]

RU6048



RU-9000-I24/L2

Encoders



1: reference mark
2: M4 5 mm deep



Product characteristics

Solid shaft encoder

HTL-output 50 mA, short-circuit protected, < 1 min

Cable

Synchro-flange

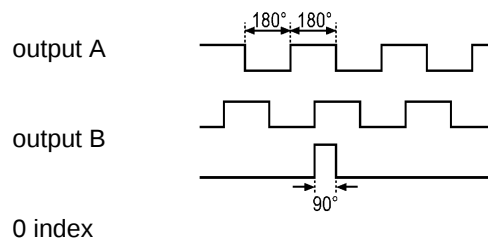
Resolution 9000

Electrical data

Operating voltage	[V]
Current consumption	[mA]
Phase difference A und B	[°]
Switching frequency	[kHz]

10...30 DC
150
90
300

Pulse diagram



Outputs

Output function

HTL-output 50 mA, short-circuit protected, < 1 min

Measuring / setting range

Encoders

Resolution

9000

Mechanical data

Max. permissible rpm / mech. [1/min]

12000

Starting torque [Ncm]

< 1 (20 °C)

Max. shaft load (at the shaft end) [N]

axial 10; radial 20

Shaft, material [mm]

Ø 6, steel (1.4104)

Vibration resistance

10 g (55...2000 Hz)

Shock resistance

100 g (6 ms)

Housing materials

aluminum

Weight [kg]

0.485

Environment

Max. relative air humidity [%]

max. 98

RU6048 - Solid shaft encoder - eclass: 27270590 / 27-27-05-90

Ambient temperature	[°C]	-30...85, -30 °C for firmly laid cable
Storage temperature	[°C]	-30...100
Protection		IP 64
Tests / approvals		
MTTF	[Years]	190
Electrical connection		
Connection		PUR cable / 2 m; axial
Wiring		
brown:	A	
green:	A (inv.)	
grey:	B	
pink:	B (inv.)	
red:	0 index	
black:	0 index (inv.)	
blue:	L+ (sensor)	
white:	0V (sensor)	
brown/green:	L+ (Up)	
white/green:	0V (Un)	
lilac:	error (inv.)	
screen:	housing	
Remarks		
Pack quantity	[piece]	1

ifm efector, inc. • 1100 Atwater Drive • Malvern • PA 19355 — We reserve the right to make technical alterations without prior notice. — US — RU6048 — 01.09.2010
no longer available - archive entryDiscontinued article