

Alternative article: RUP500 + E12402

When selecting an alternative article and accessories please note that technical data may differ!

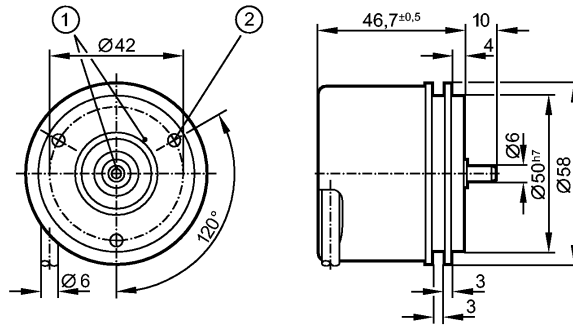
efector 400

RU6001



RU-0050-I24/L2

Encoders



1: reference mark
2: M4 5 mm deep



Product characteristics

Solid shaft encoder

HTL-output 50 mA, short-circuit protected, < 1 min

Cable

Synchro-flange

6 signals

Resolution 50

Electrical data

Operating voltage [V]

10...30 DC

Current consumption [mA]

< 150

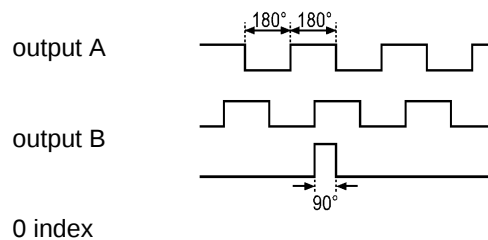
Phase difference A und B [°]

90

Switching frequency [kHz]

300

Pulse diagram



Outputs

Output function

HTL-output 50 mA, short-circuit protected, < 1 min

Measuring / setting range

Encoders

Resolution

50

Mechanical data

Max. permissible rpm / mech. [1/min]

16000

Starting torque [Ncm]

< 1 (20 °C)

Max. shaft load (at the shaft end) [N]

axial 10; radial 20

Shaft, material [mm]

$\varnothing 6$, steel (1.4104)

Vibration resistance

30 g

Shock resistance

200 g

Housing materials

aluminum

Weight [kg]

0.493

Environment

Max. relative air humidity [%]

max. 98

RU6001 - Solid shaft encoder - eclass: 27270590 / 27-27-05-90

| | | |
|-----------------------|----------------|---|
| Ambient temperature | [°C] | -40...100, -40 °C for firmly laid cable |
| Protection | | IP 64; IP 67 (housing); IP 64 (shaft) |
| Tests / approvals | | |
| MTTF | [Years] | 190 |
| Electrical connection | | |
| Connection | | PUR cable / 2 m; radial, can also be used axially |
| Max. cable length | [m] | 300 |
| Wiring | | |
| brown: | A | |
| green: | A (inv.) | |
| grey: | B | |
| pink: | B (inv.) | |
| red: | 0 index | |
| black: | 0 index (inv.) | |
| blue: | L+ (sensor) | |
| white: | 0V (sensor) | |
| brown/green: | L+ (Up) | |
| white/green: | 0V (Un) | |
| lilac: | error (inv.) | |
| screen: | housing | |
| Remarks | | |
| Pack quantity | [piece] | 1 |

ifm efector, inc. • 1100 Atwater Drive • Malvern • PA 19355 — We reserve the right to make technical alterations without prior notice. — US — RU6001 — 01.09.2010

Alternative article: RUP500 + E12402

When selecting an alternative article and accessories please note that technical data may differ!