

Alternative article: RUP500

When selecting an alternative article and accessories please note that technical data may differ!

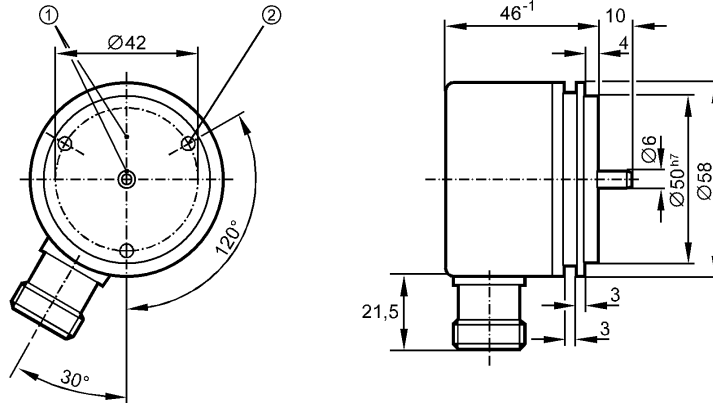
**efector 400**

RU1113



RU-2500-I05/K

Encoders



1: reference mark  
2: M4 5 mm deep



Product characteristics

Solid shaft encoder

TTL output 20 mA

Quick disconnect

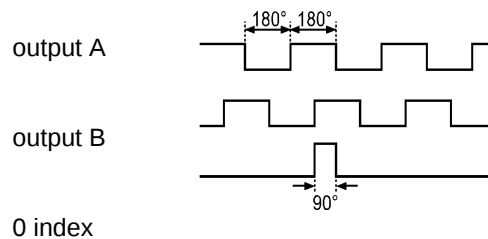
Synchro-flange

Resolution 2500

Electrical data

Operating voltage	[V]	5 DC $\pm$ 0.5
Current consumption	[mA]	150
Phase difference A und B	[°]	90
Switching frequency	[kHz]	300

Pulse diagram



Outputs

Output function

TTL output 20 mA

Measuring / setting range

Encoders

Resolution

2500

Mechanical data

Max. permissible rpm / mech. [1/min]

12000

Starting torque [Ncm]

< 1 (20 °C)

Max. shaft load (at the shaft end) [N]

axial 10; radial 20

Shaft, material [mm]

$\varnothing$  6, steel (1.4104)

Vibration resistance

15 g (55...2000 Hz)

Shock resistance

100 g (6 ms)

Housing materials

aluminum

Weight [kg]

0.421

Environment

# RU1113 - Solid shaft encoder - eclass: 27270590 / 27-27-05-90

Max. relative air humidity	[%]	max. 98
Ambient temperature	[°C]	-30...100
Storage temperature	[°C]	-30...100
Protection		IP 64
Tests / approvals		
MTTF	[Years]	190
Electrical connection		
Connection		M23 flange plug; radial; ifm 1001.4
<b>Wiring</b>		
1:	B (inv.)	
2:	L+ (sensor)	
3:	0 index	
4:	0 index (inv.)	
5:	A	
6:	A (inv.)	
7:	error (inv.)	
8:	B	
9:	n.c.	
10:	0V	
11:	0V (sensor)	
12:	L+	
screen: housing		
Remarks		
Pack quantity	[piece]	1

ifm efector, inc. • 1100 Atwater Drive • Malvern • PA 19355 — We reserve the right to make technical alterations without prior notice. — US — RU1113 — 01.09.2010

Alternative article: RUP500

When selecting an alternative article and accessories please note that technical data may differ!