

Alternative article: RUP500 + E12402

When selecting an alternative article and accessories please note that technical data may differ!

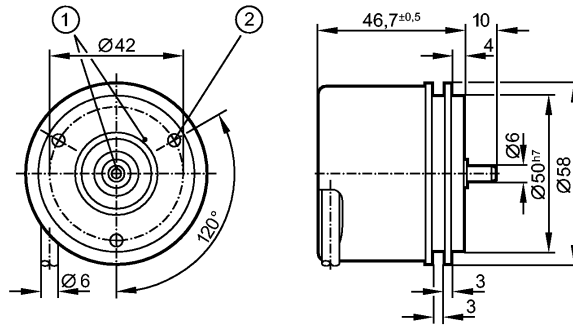
**efector 400**

RU1016



RU-0500-I05/L2

Encoders



1: reference mark

2: M4 5 mm deep



**Product characteristics**

Solid shaft encoder

TTL output 20 mA

Cable

Synchro-flange

6 signals

Resolution 500

**Electrical data**

Operating voltage [V]

5 DC ± 0.5

Current consumption [mA]

< 120

Phase difference A und B [°]

90

Switching frequency [kHz]

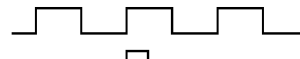
300

**Pulse diagram**

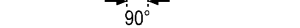
output A



output B



0 index



**Outputs**

Output function

TTL output 20 mA

**Measuring / setting range**

**Encoders**

Resolution

500

**Mechanical data**

Max. permissible rpm / mech. [1/min]

16000

Starting torque [Ncm]

< 1 (20 °C)

Max. shaft load (at the shaft end) [N]

axial 10; radial 20

Shaft, material [mm]

Ø 6, steel (1.4104)

Vibration resistance

30 g

Shock resistance

200 g

Housing materials

aluminum

Weight [kg]

0.49

**Environment**

Max. relative air humidity [%]

max. 98

## RU1016 - Solid shaft encoder - eclass: 27270590 / 27-27-05-90

Ambient temperature	[°C]	-40...100, -40 °C for firmly laid cable
Protection		IP 64; IP 67 (housing); IP 64 (shaft)
Tests / approvals		
MTTF	[Years]	190
Electrical connection		
Connection		PUR cable / 2 m; radial, can also be used axially
Max. cable length	[m]	100
<b>Wiring</b>		
brown:	A	
green:	A (inv.)	
grey:	B	
pink:	B (inv.)	
red:	0 index	
black:	0 index (inv.)	
blue:	L+ (sensor)	
white:	0V (sensor)	
brown/green:	L+ (Up)	
white/green:	0V (Un)	
lilac:	error (inv.)	
screen:	housing	
Remarks		
Pack quantity	[piece]	1

ifm efector, inc. • 1100 Atwater Drive • Malvern • PA 19355 — We reserve the right to make technical alterations without prior notice. — US — RU1016 — 01.09.2010

Alternative article: RUP500 + E12402

When selecting an alternative article and accessories please note that technical data may differ!