

Article discontinued as of 31.March 2016

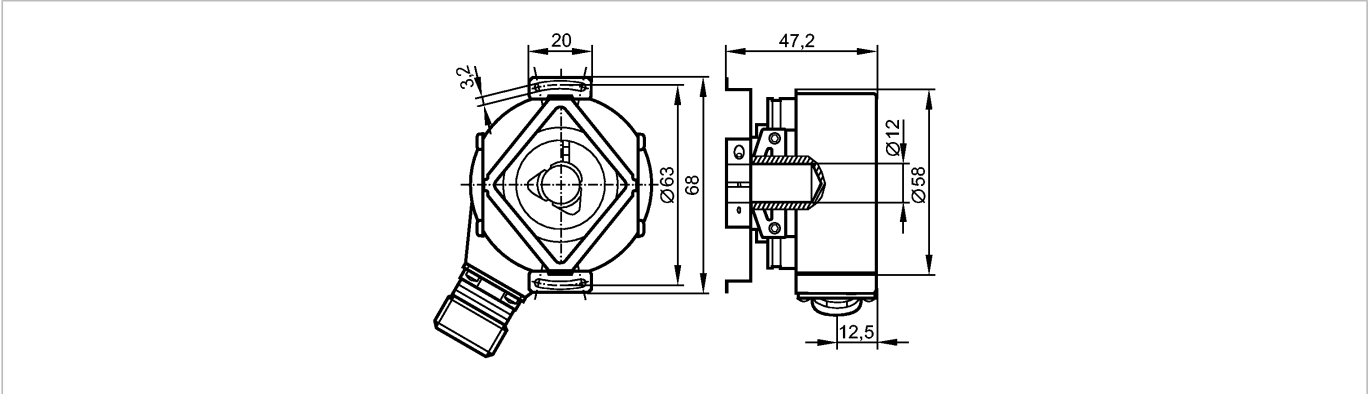
# efector 400<sup>®</sup>

RO6357



RO-0100-I24/T U

Encoders



**Product characteristics**

Hollow shaft encoder open to one side

HTL-output 50 mA, short-circuit protected, < 1 min

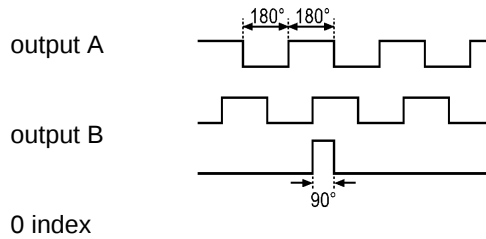
Quick disconnect

Resolution 100

**Electrical data**

Operating voltage [V]	10...30 DC
Current consumption [mA]	< 200
Phase difference A und B [°]	90
Switching frequency [kHz]	300

**Pulse diagram**



**Outputs**

Output function HTL-output 50 mA, short-circuit protected, < 1 min

Measuring / setting range

Encoders

Resolution

100

**Mechanical data**

Max. permissible rpm / mech. [1/min] 12000

Starting torque [Ncm] < 1 (20 °C)

Shaft, material hollow shaft open to one side Ø 12 H7, stainless steel

Installation depth/shaft [mm] 10

Max. axial shaft alignment [mm] ± 1 \*)

Vibration resistance 10 g (55...2000 Hz)

Shock resistance 100 g (6 ms)

Housing materials aluminum

Weight [kg] 0.348

**Environment**

Max. relative air humidity [%] max. 98

Ambient temperature [°C] -40...100

Protection IP 64; IP 67 (housing); IP 64 (shaft)

**Tests / approvals**

MTTF [Years] 190

**RO6357 - Hollow shaft encoder open to one side - eclass: 27270590 / 27-27-05-90**

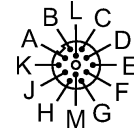
Electrical connection

Connection

M18 flange plug; radial; ifm 1001.20

**Wiring**

- A: B (inv.)
  - B: Ub (sensor)
  - C: 0 index
  - D: 0 index (inv.)
  - E: A
  - F: A (inv.)
  - G: error (inv.)
  - H: B
  - K: 0V Un
  - L: 0V (sensor)
  - M: L+ Up
- screen: housing



Remarks

Remarks

\*) max. radial shaft alignment  $\pm 0.05$  mm

Pack quantity

[piece]

1

ifm efector, inc. • 1100 Atwater Drive • Malvern • PA 19355 — We reserve the right to make technical alterations without prior notice. — US — RO6357 — 01.09.2010

Article discontinued as of 31.March 2016