

Article discontinued as of 31.March 2016

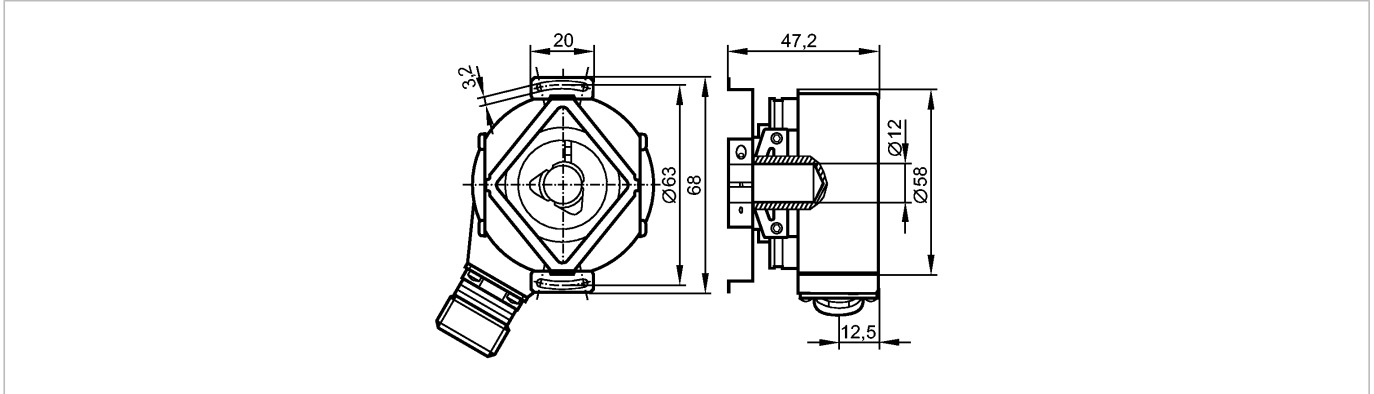
# efector 400<sup>®</sup>

RO6341



RO-0360-I24/T U

Encoders



**Product characteristics**

Hollow shaft encoder open to one side

HTL-output 50 mA, short-circuit protected, < 1 min

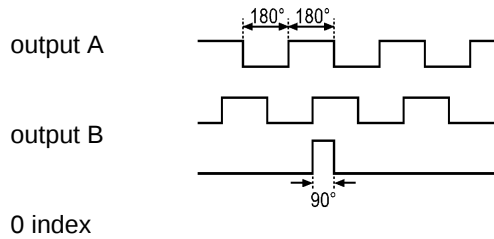
Quick disconnect

Resolution 360

**Electrical data**

Operating voltage [V]	10...30 DC
Current consumption [mA]	< 200
Phase difference A und B [°]	90
Switching frequency [kHz]	300

**Pulse diagram**



**Outputs**

Output function HTL-output 50 mA, short-circuit protected, < 1 min

**Measuring / setting range Encoders**

Resolution 360

**Mechanical data**

Max. permissible rpm / mech. [1/min]	12000
Starting torque [Ncm]	< 1 (20 °C)
Shaft, material [mm]	hollow shaft open to one side Ø 12 H7, stainless steel
Installation depth/shaft [mm]	10
Max. axial shaft alignment [mm]	± 1 *)
Vibration resistance	10 g (55...2000 Hz)
Shock resistance	100 g (6 ms)
Housing materials	aluminum
Weight [kg]	0.405
Environment	
Max. relative air humidity [%]	max. 98
Ambient temperature [°C]	-40...100
Protection	IP 64; IP 67 (housing); IP 64 (shaft)
Tests / approvals	
MTTF [Years]	190

**RO6341 - Hollow shaft encoder open to one side - eclass: 27270590 / 27-27-05-90**

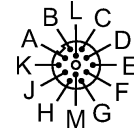
Electrical connection

Connection

M18 flange plug; radial; ifm 1001.20

**Wiring**

A: B (inv.)  
 B: Ub (sensor)  
 C: 0 index  
 D: 0 index (inv.)  
 E: A  
 F: A (inv.)  
 G: error (inv.)  
 H: B  
 K: 0V Un  
 L: 0V (sensor)  
 M: L+ Up  
 screen: housing



Remarks

Remarks

\*) max. radial shaft alignment  $\pm 0.05$  mm

Pack quantity

[piece]

1

ifm efector, inc. • 1100 Atwater Drive • Malvern • PA 19355 — We reserve the right to make technical alterations without prior notice. — US — RO6341 — 01.09.2010

Article discontinued as of 31.March 2016