

Article discontinued as of 31.March 2016

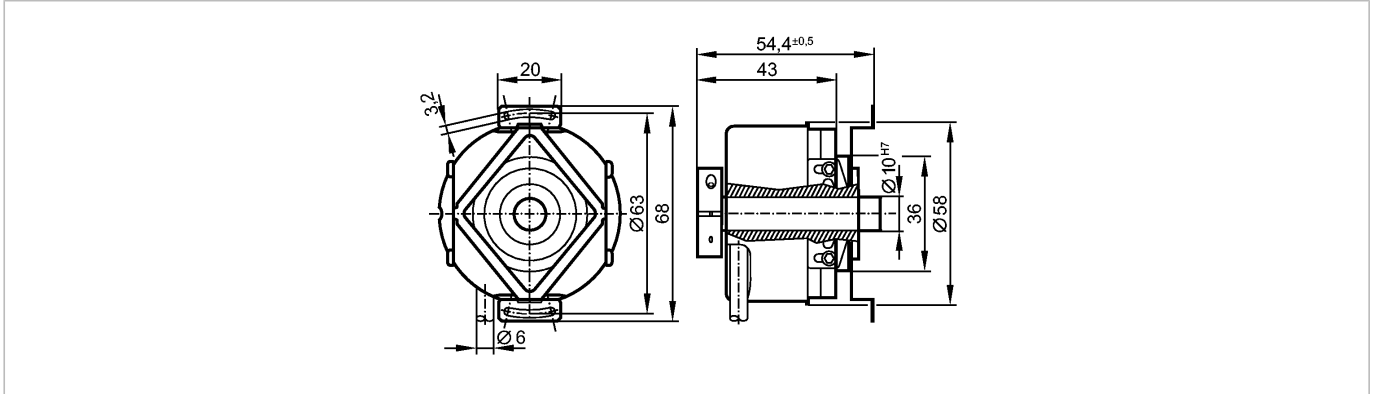
efector 400[®]

RO6316



RO-0360-I24/N11

Encoders



Product characteristics

Hollow shaft encoder

HTL-output 50 mA, short-circuit protected, < 1 min

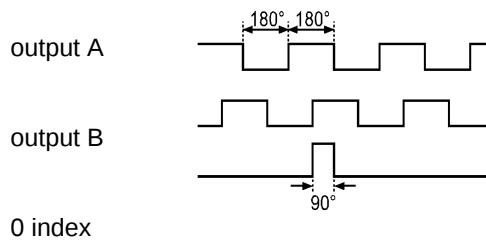
Cable

Resolution 360

Electrical data

| | |
|------------------------------|------------|
| Operating voltage [V] | 10...30 DC |
| Current consumption [mA] | < 150 |
| Phase difference A und B [°] | 90 |
| Switching frequency [kHz] | 300 |

Pulse diagram



Outputs

Output function HTL-output 50 mA, short-circuit protected, < 1 min

Measuring / setting range

Encoders

Resolution 360

Mechanical data

| | |
|--------------------------------------|--|
| Max. permissible rpm / mech. [1/min] | 12000 ****) |
| Starting torque [Ncm] | < 2.5 (20 °C) |
| Shaft, material [mm] | continuous hollow shaft Ø 10 H7, stainless steel |
| Installation depth/shaft [mm] | 10 |
| Max. axial shaft alignment [mm] | ± 1 *) |
| Vibration resistance | 30 g |
| Shock resistance | 200 g |
| Housing materials | aluminum |
| Weight [kg] | 0.452 |

Environment

| | |
|--------------------------------|--|
| Max. relative air humidity [%] | max. 98 |
| Ambient temperature [°C] | -30...85 (100 Up < 18 V), -30 °C for firmly laid cable |

Protection

IP 64; IP 66 (housing); IP 64 (shaft)

Tests / approvals

| | |
|--------------|-----|
| MTTF [Years] | 190 |
|--------------|-----|

RO6316 - Hollow shaft encoder - eclass: 27270590 / 27-27-05-90

Electrical connection

| | |
|------------|---|
| Connection | PUR cable / 1 m; radial, can also be used axially |
|------------|---|

Wiring

| | | |
|----------|--------------|----------|
| brown: A | blue: | L+ |
| green: A | | (sensor) |
| (inv.) | white: | 0V |
| grey: B | | (sensor) |
| pink: B | brown/green: | L+ (Up) |
| (inv.) | white/green: | 0V (Un) |
| red: 0 | screen: | housing |
| index | lilac: | error |
| black: 0 | | (inv.) |
| index | | |
| (inv.) | | |

Remarks

| | |
|---------|---|
| Remarks | <p>*) max. radial shaft alignment ± 0.05 mm</p> <p>**) -40 °C for firmly laid cable / -10 °C for flexibly laid cable</p> <p>****) when using both shaft clamping rings</p> |
|---------|---|

| | | |
|---------------|---------|---|
| Pack quantity | [piece] | 1 |
|---------------|---------|---|

ifm efector, inc. • 1100 Atwater Drive • Malvern • PA 19355 — We reserve the right to make technical alterations without prior notice. — US — RO6316 — 01.09.2010

Article discontinued as of 31.March 2016