

no longer available - archive entry Alternative article: RN6055

When selecting an alternative article and accessories please note that technical data may differ!

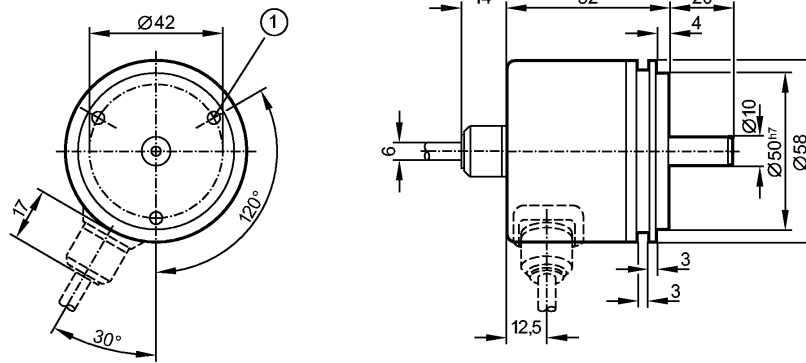
efector 400

RN6052



RN-8192-S24/L1B

Encoders



1: M4 5 mm deep



Product characteristics

Singleturn

SSI data interface

Cable

8192 steps

Electrical data

Operating voltage [V]

10...30 DC

Current consumption [mA]

< 150

Max. permissible rpm / elec. [1/min]

6000

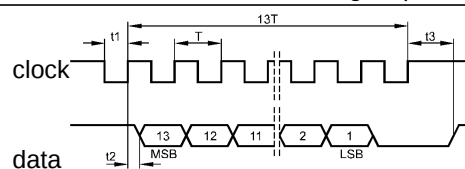
Code

Gray code; increasing code values when turned clockwise (seen on the shaft)

Code signal

Data input: TTL compatible signals, cycle and cycle (inv.) from driver to RS 485
 Data output: synchronous serial, TTL-compatible signals data and data (inv.)
 Incremental signals: 2 sinusoidal incremental signals (A and B) with 90° phase difference, 1 Vss 512 signal periods per revolution

Pulse diagram



Outputs

Output function

SSI data interface

Measuring / setting range

Encoders

Resolution

13 bits

Mechanical data

Max. permissible rpm / mech. [1/min]

12000

Starting torque [Ncm]

< 1 (20 °C)

Max. shaft load (at the shaft end) [N]

axial 10; radial 20

Shaft, material [mm]

Ø 10, steel (1.4104)

Vibration resistance

10 g (55...2000 Hz)

Shock resistance

100 g (6 ms)

Housing materials

aluminum

Weight [kg]

0.452

RN6052 - Singleturn - eclass: 27270590 / 27-27-05-90

Environment		
Ambient temperature	[°C]	-20...85
Storage temperature	[°C]	-30...80
Protection		IP 64
Electrical connection		
Connection		PUR cable / 1 m; axial
Max. cable length	[m]	100m
Wiring		
black:	n.c.	white/green: 0V
red:	n.c.	(Un)
green:	n.c.	blue/black: B+
brown:	n.c.	red/black: B-
brown/green:	10...30V	grey: data
	(Up)	green/black: A+
lilac:	clock	yellow/black: A-
yellow:	clock	pink: data
	(inv.)	(inv.)
screen:	housing	
Remarks		
Remarks		Wires/pins not connected (n.c.) must not be used! t1 > 0.45 µs; t2 < 0.4 µs; t3 = 12...35 µs; T = 0.9...11 µs
Pack quantity	[piece]	1

ifm efector, inc. • 1100 Atwater Drive • Malvern • PA 19355 — We reserve the right to make technical alterations without prior notice. — US — RN6052 — 04.12.2007

no longer available - archive entryAlternative article: RN6055

When selecting an alternative article and accessories please note that technical data may differ!