

no longer available - archive entry replaced by: RN6032

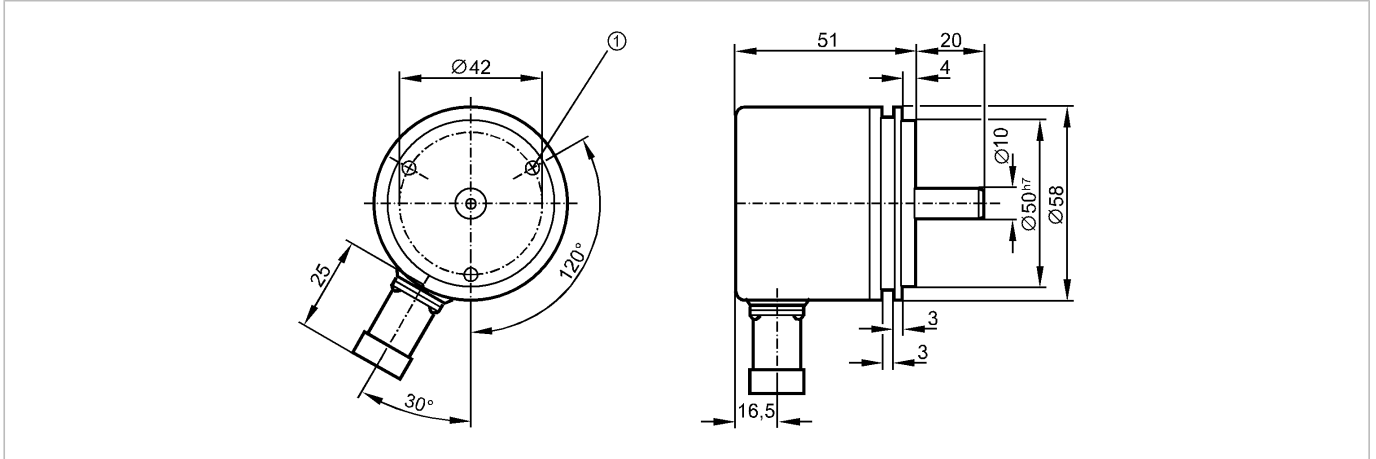
# efector 400<sup>®</sup>

RN6042



RN-0512-G24/K B

Encoders



## Product characteristics

Singleturn

HTL output 20 mA, short-circuit protected < 1 min

Quick disconnect

Parallel data interface

Resolution 512

Electrical data

Operating voltage [V]

10...30 DC

Current consumption [mA]

< 150

Max. permissible rpm / elec. [1/min]

6000

Code

Gray code; increasing code values when turned clockwise (seen on the shaft)

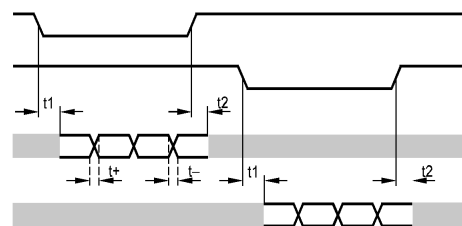
Pulse diagram

release A (inv)

release B (inv)

tracks 3...10

tracks 1...2



Outputs

Output function

HTL output 20 mA, short-circuit protected < 1 min

Measuring / setting range

Encoders

Resolution

512

Mechanical data

Max. permissible rpm / mech. [1/min]

10000

Starting torque [Ncm]

< 1 (20 °C)

Max. shaft load (at the shaft end) [N]

axial 10; radial 20

Shaft, material [mm]

$\varnothing 10$ , steel (1.4104)

Vibration resistance

10 g (55...2000 Hz)

Shock resistance

100 g (6 ms)

Housing materials

aluminum

Weight [kg]

0.444

Environment

Max. relative air humidity [%]

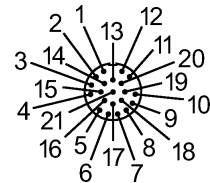
max. 98

**RN6042 - Singleturn - eclass: 27270590 / 27-27-05-90**

Ambient temperature	[°C]	-20...85
Storage temperature	[°C]	-30...100
Protection		IP 65
Electrical connection		
Connection		M23 flange plug; radial; ifm 1001.8
Max. cable length	[m]	100

**Wiring**

- 1: 0V (Un) white
- 2: 10...30V brown
- 3: release A (inv.) green
- 4: release B (inv.) yellow
- 5: -
- 6: bit 1 (LSB) pink
- 7: bit 2 blue
- 8: bit 3 red
- 9: bit 4 black
- 10: bit 5 lilac
- 11: bit 6 grey/pink
- 12: bit 7 red/blue
- 13: bit 8 white/green
- 14: bit 9 (MSB) brown/green
- 15: 0 V (Sensor) white/yellow
- 16: yellow/brown 10...30V (sensor)
- 17: bit 9 (MSB) (inv.) white/grey
- 18: -
- 19: -
- 20: -
- 21: -



screen: housing

Remarks

Pack quantity	[piece]	1
---------------	---------	---

ifm efector, inc. • 1100 Atwater Drive • Malvern • PA 19355 — We reserve the right to make technical alterations without prior notice. — US — RN6042 — 04.12.2007  
 no longer available - archive entryreplaced by: RN6032