

no longer available - archive entry replaced by: RN6024

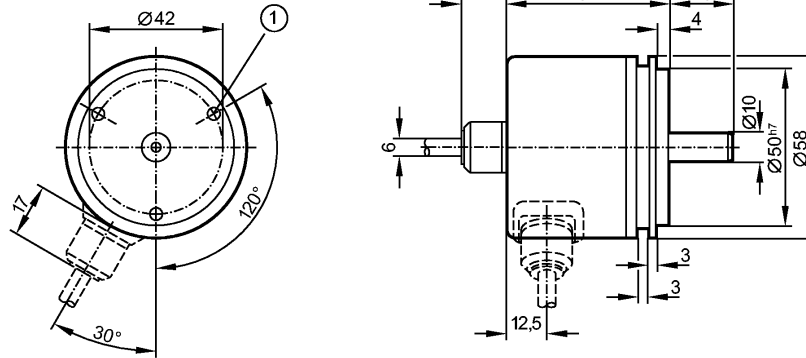
# efector 400<sup>®</sup>

RN6011



RN-0512-G24/L1B

Encoders



1: M4 5 mm deep



## Product characteristics

Singleturn

HTL output 20 mA, short-circuit protected < 1 min

Cable

Parallel data interface

Resolution 512

Electrical data

Operating voltage [V]

10...30 DC

Current consumption [mA]

< 150

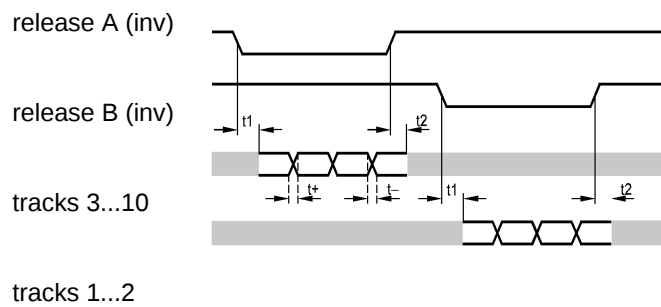
Max. permissible rpm / elec. [1/min]

6000

Code

Gray code; increasing code values when turned clockwise (seen on the shaft)

Pulse diagram



Outputs

Output function

HTL output 20 mA, short-circuit protected < 1 min

Measuring / setting range

Encoders

Resolution

512 steps / 9 Bit

Mechanical data

Max. permissible rpm / mech. [1/min]

10000

Starting torque [Ncm]

< 1 (20 °C)

Max. shaft load (at the shaft end) [N]

axial 10; radial 20

Shaft, material [mm]

Ø 10, steel (1.4104)

Vibration resistance

10 g (55...2000 Hz)

Shock resistance

100 g (6 ms)

Housing materials

aluminum

Weight [kg]

0.455

Environment

**RN6011 - Singleturn - eclass: 27270590 / 27-27-05-90**

Max. relative air humidity	[%]	max. 98
Ambient temperature	[°C]	-20...85
Storage temperature	[°C]	-30...100
Protection		IP 64
Electrical connection		
Connection		PUR cable / 1 m; axial
Max. cable length	[m]	100
<b>Wiring</b>		
brown:	10...30V	red/blue: bit 7
yellow/brown:	10...30V	grey/pink: bit 6
	(sensor)	lilac: bit 5
white:	0V	black: bit 4
white/yellow:	0V	red: bit 3
	(sensor)	blue: bit 2
green:	release A	pink: bit 1
	(inv.)	screen: housing
	5...30V	
yellow:	release B	
	(inv.)	
	5...30V	
white/grey:	bit 9	
	(MSB)	
	(inv.)	
brown/green:	bit 9	
	(MSB)	
white/green:	bit 8	
<b>Remarks</b>		
Pack quantity	[piece]	1

ifm efector, inc. • 1100 Atwater Drive • Malvern • PA 19355 — We reserve the right to make technical alterations without prior notice. — US — RN6011 — 04.12.2007  
no longer available - archive entryreplaced by: RN6024